

HUND COUTURE

Business

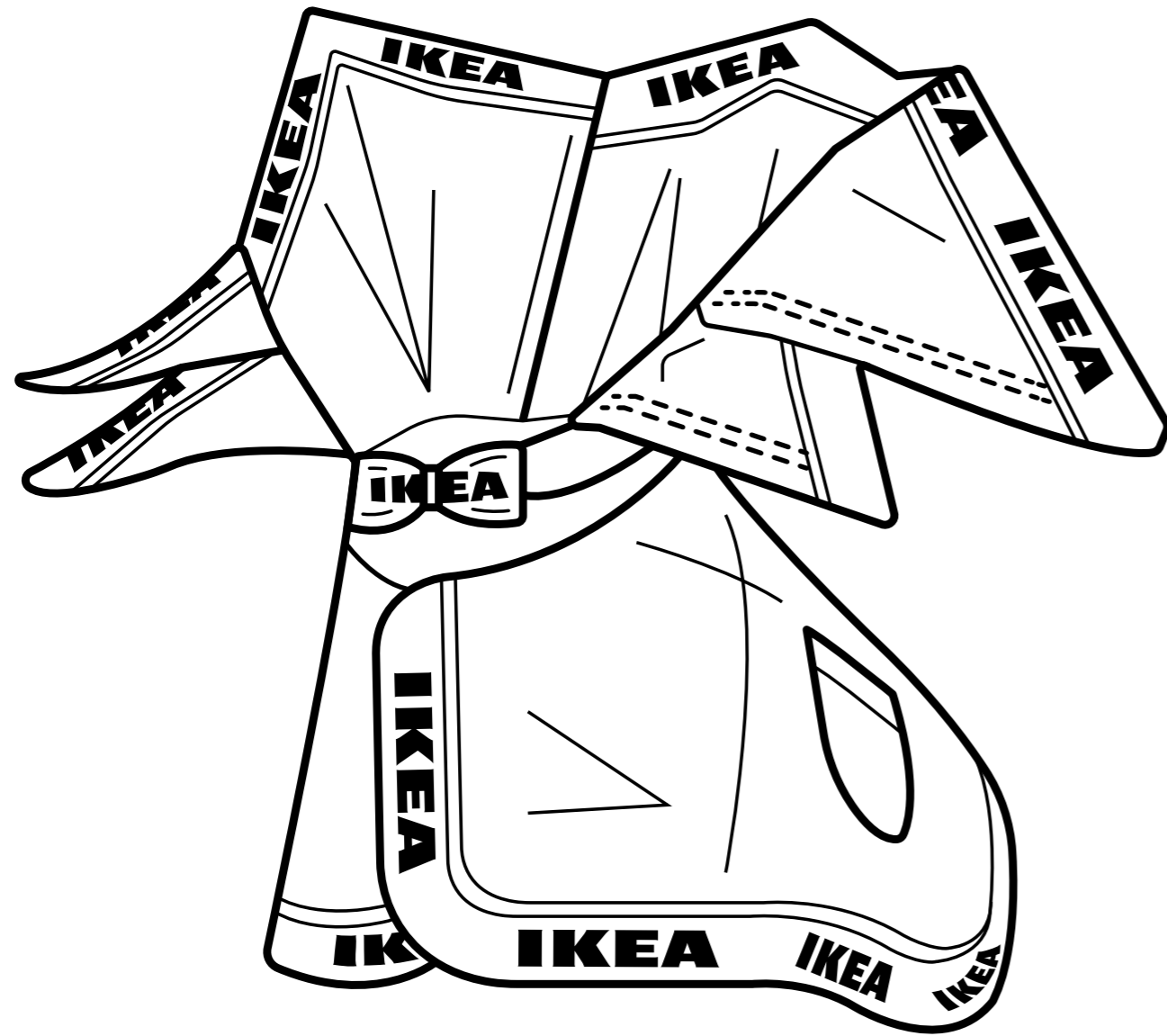


Sizes: S, M, L, XL



Design and Quality
IKEA of Sweden

Business



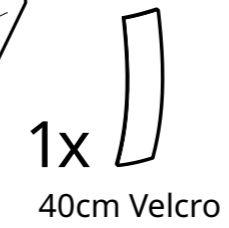
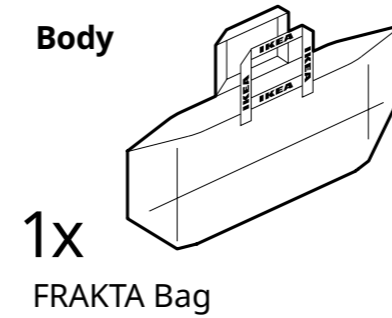
Business

What you'll need

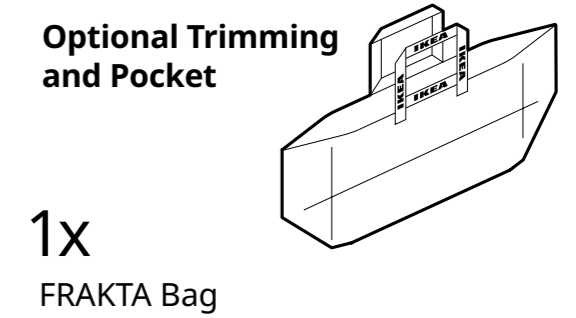
Equipment



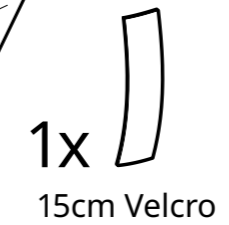
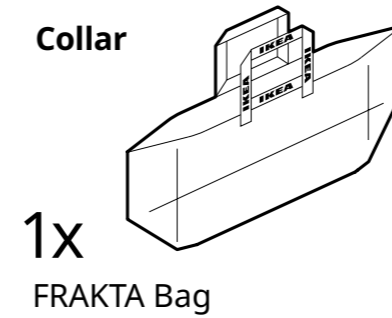
Body



Optional Trimming and Pocket

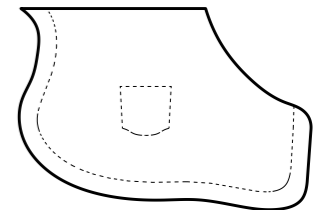


Collar



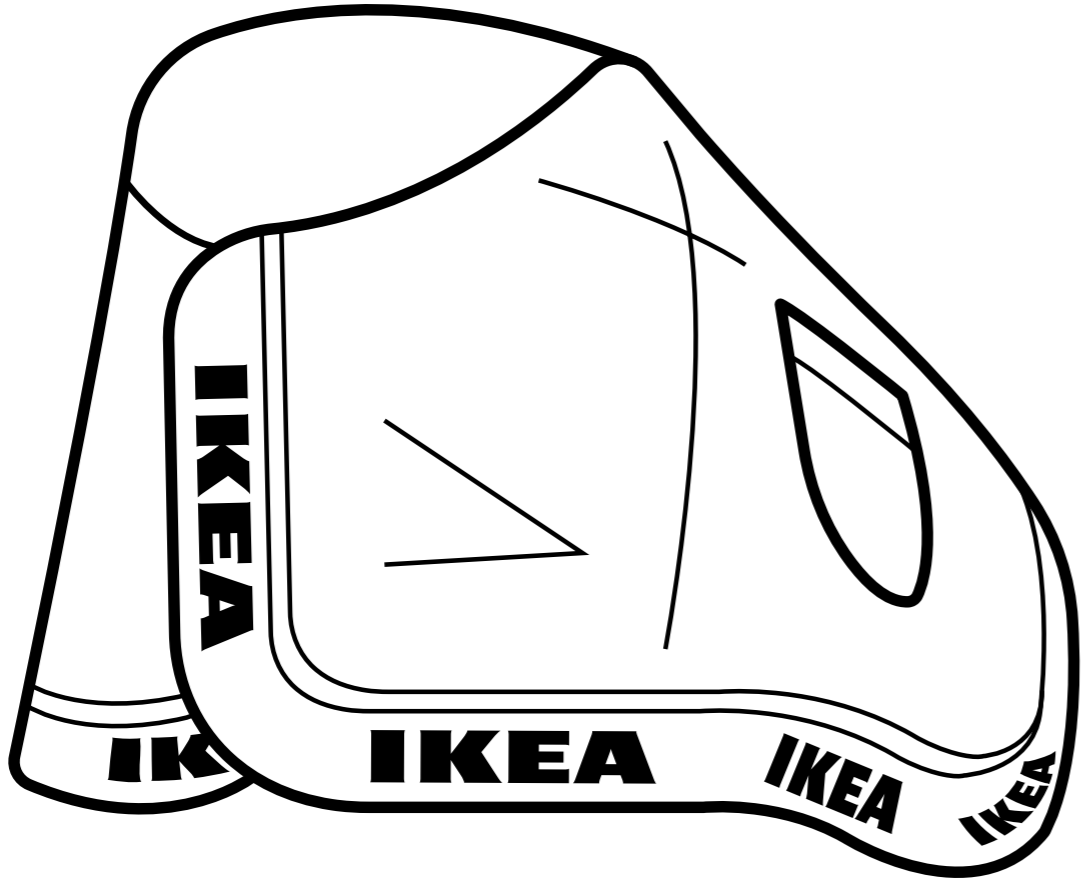
Pattern Piece

[Available to download here](#)



Business

Body

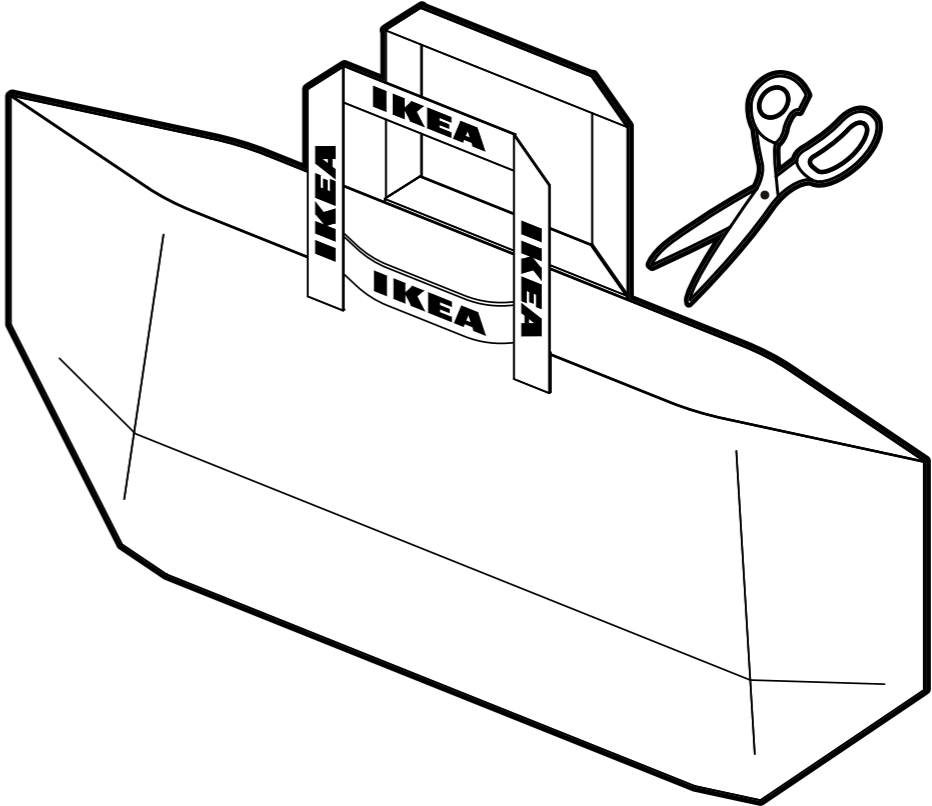


1

Body

Preparing your bag

Cut lines at handle attachment of bags.
Keep for later use.

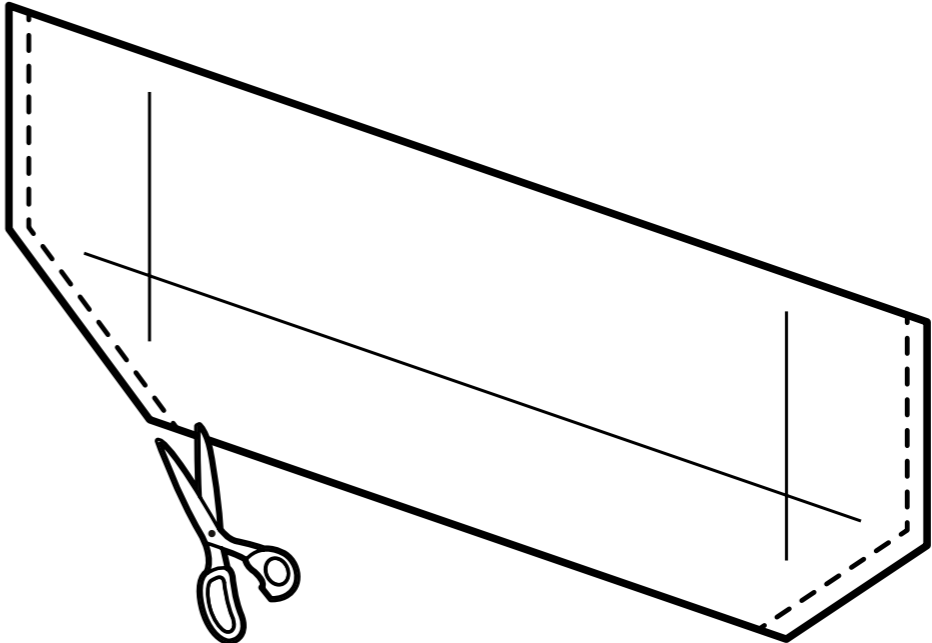


2

Body

Cutting body piece

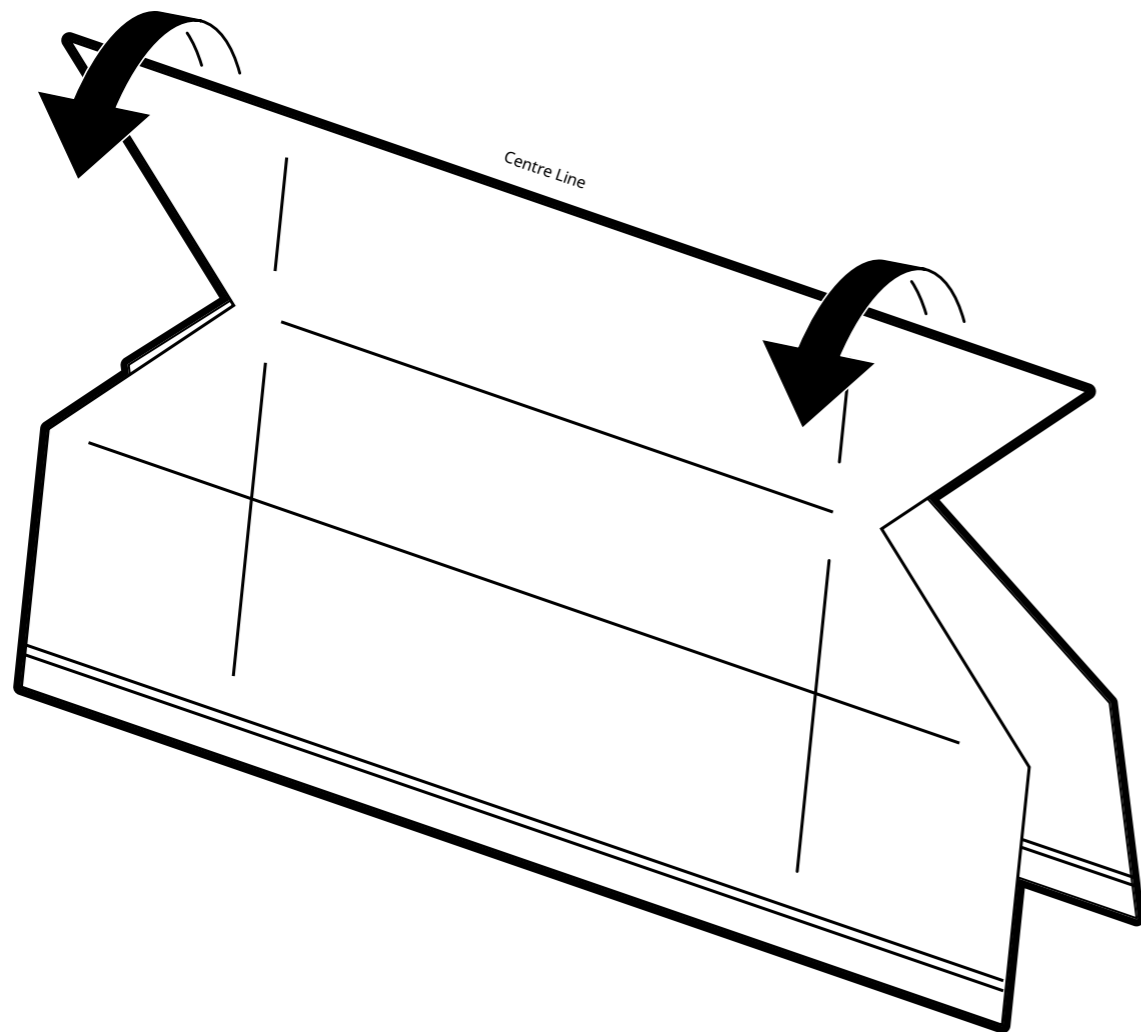
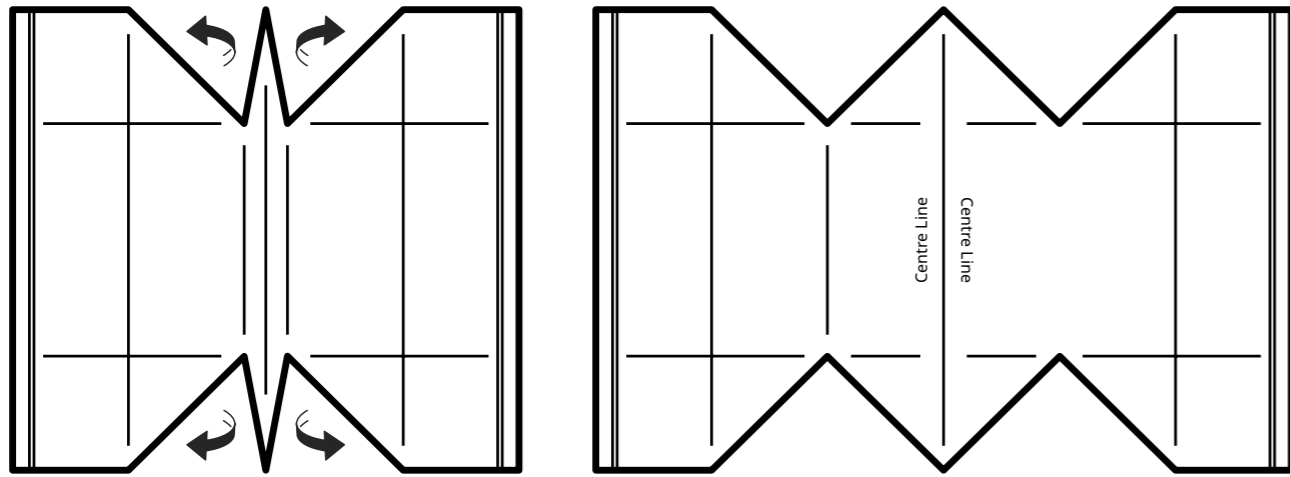
Lay your FRAKTA bag flat
and cut along side seams.



3 Body

Cutting body piece

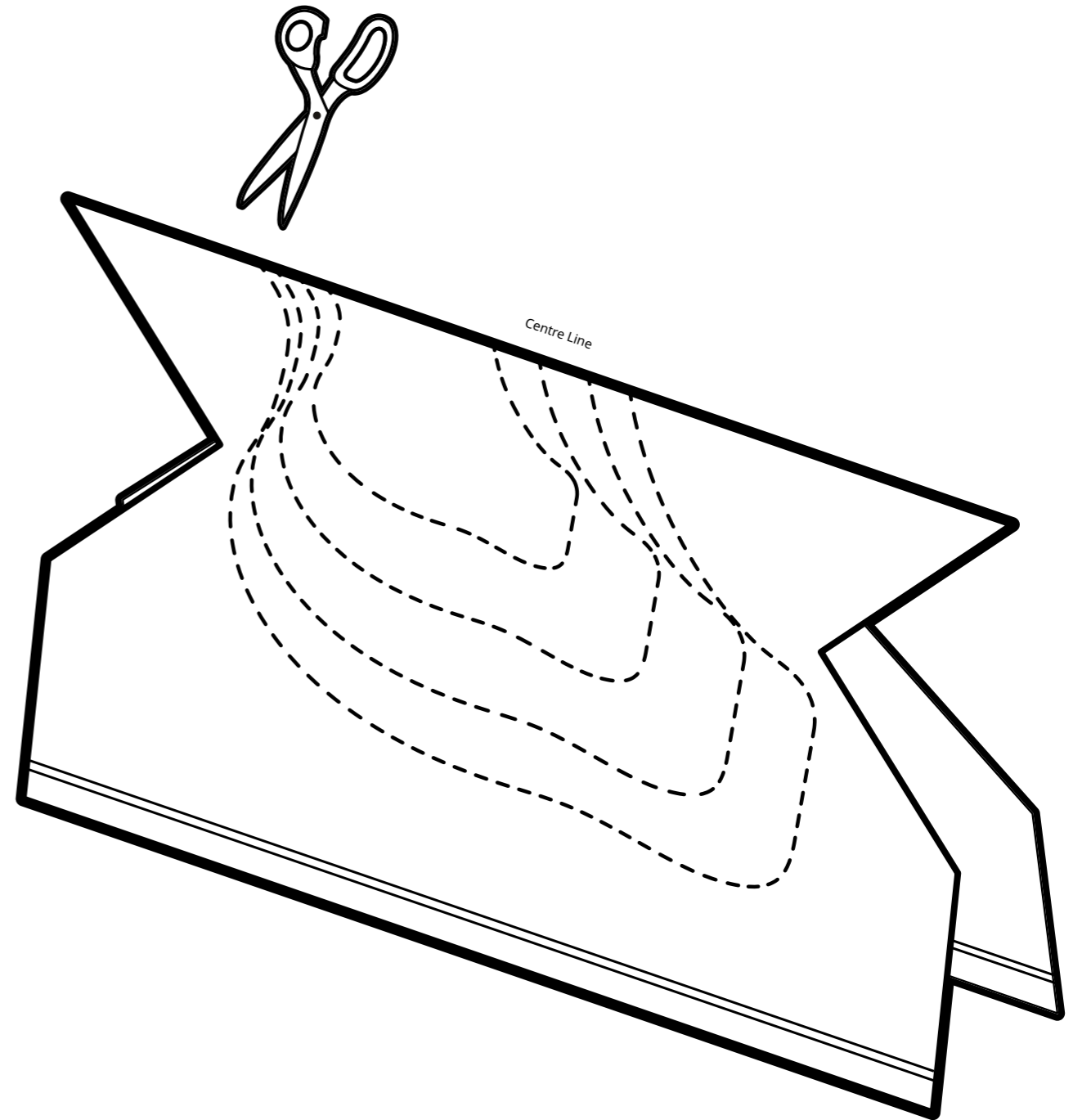
Open bag up then refold along centre line.



4 Body

Cutting body piece

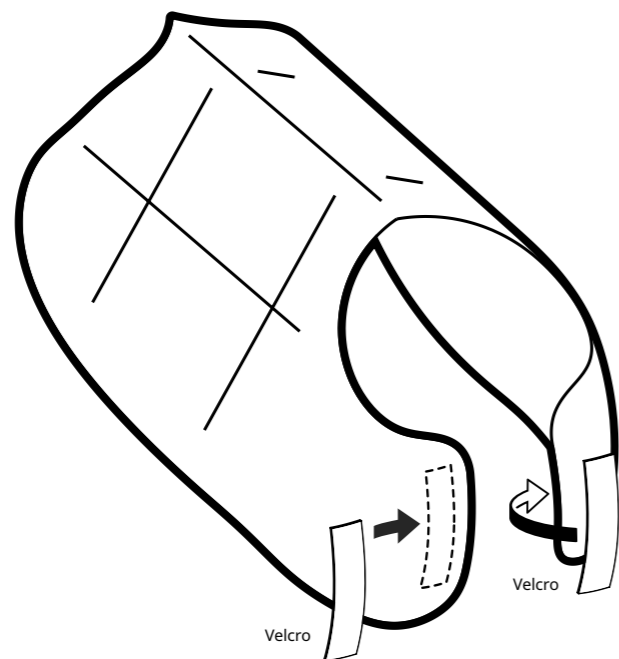
Position body pattern piece along centerfold and cut to appropriate size. Fit and further trim to adjust design to your hand.



5 Body

Attaching chest fastening

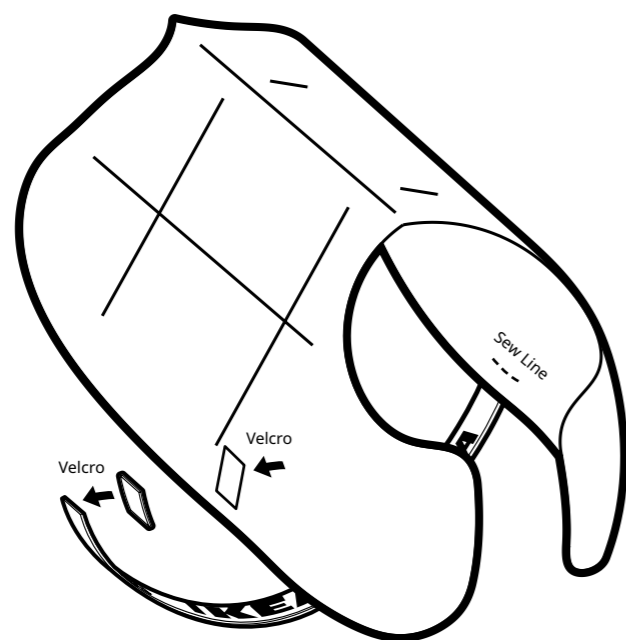
Attach and secure velcro to create the chest fastening as shown. Ensure the loop (soft) side of the velcro facing the dog and the hook (grippy) side is away from them.



6 Body

The belly band

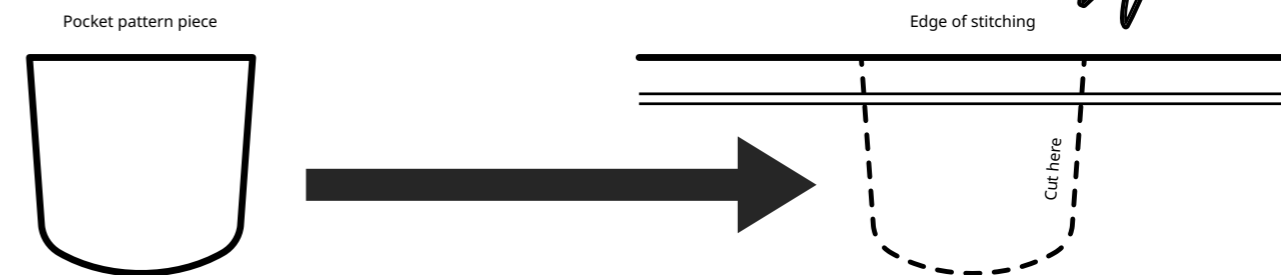
Using a handle to create the belly band, sew one end to the body piece as shown. Measure and trim to fit your hund, then attach and secure velcro to both the band and the body piece as shown. Ensure the loop (soft) side of the velcro facing the dog and the hook (grippy) side is away from them.



7 Body

Optional pocket

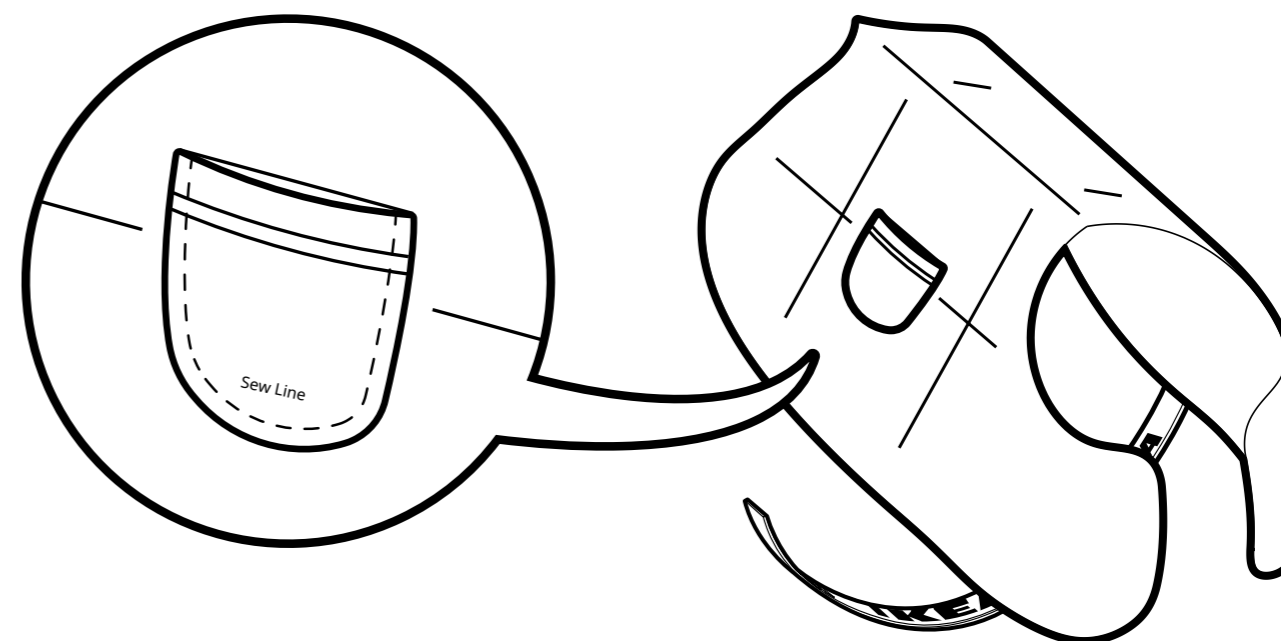
Position pocket pattern piece on remaining bag fabric using edge stitching of bag as top of pocket.



Body

Optional pocket

Pin and sew pocket piece to body piece as shown or adjust location to wherever your hund needs their storage.

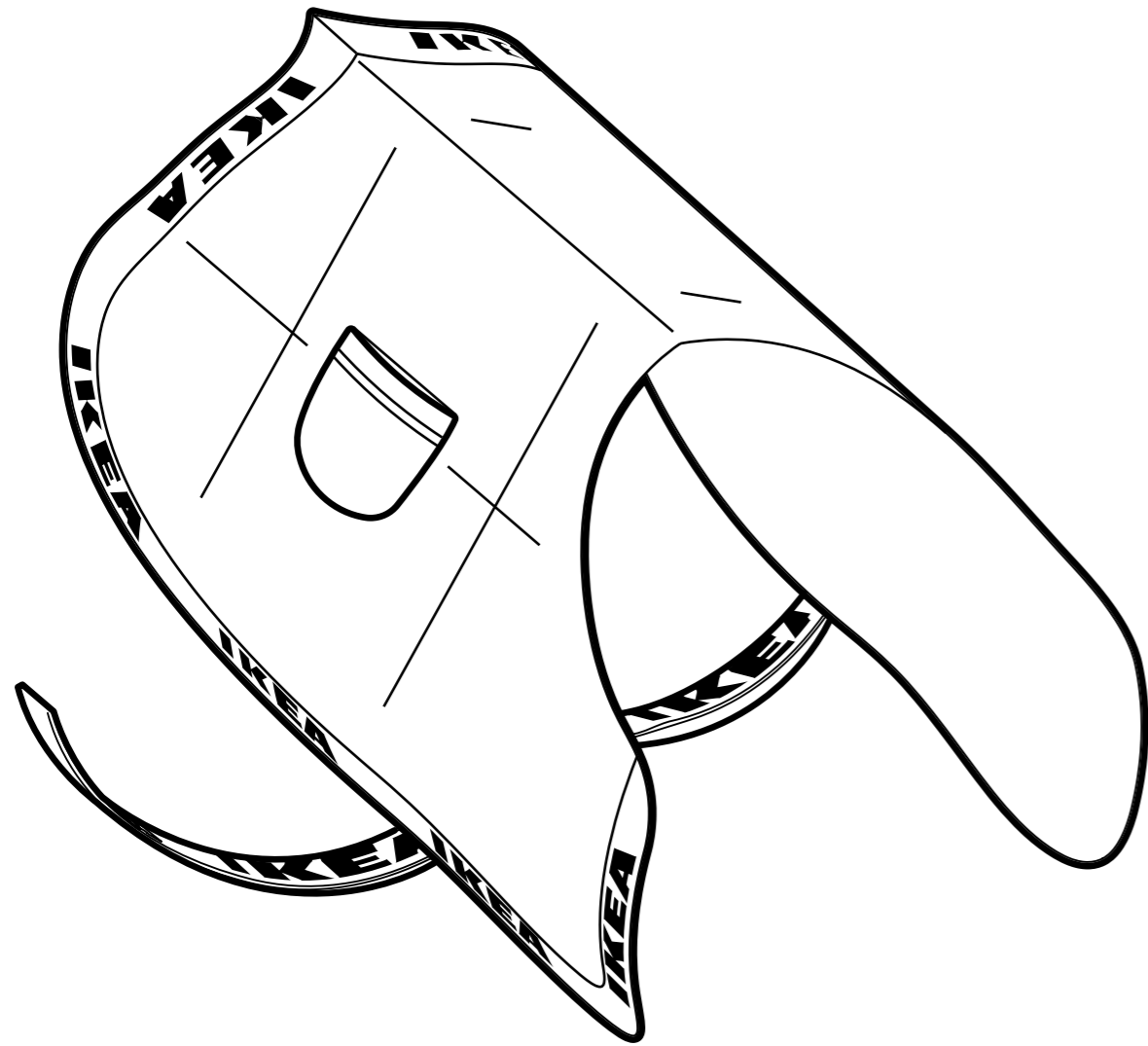


8

Body

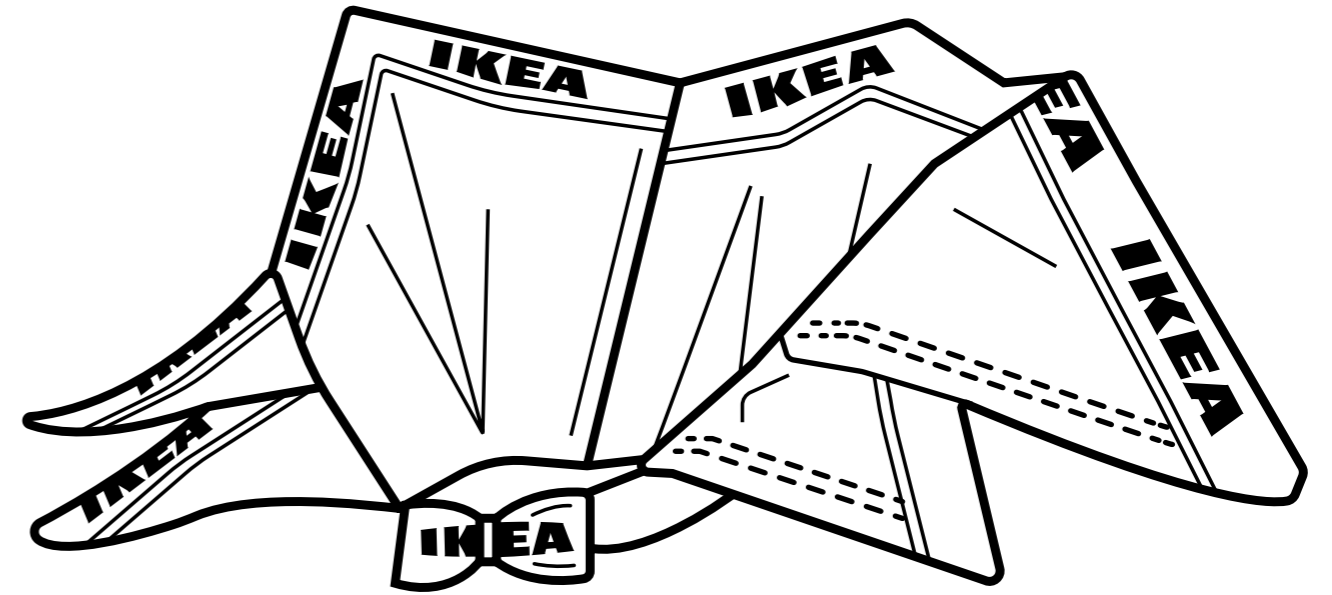
Optional trim

Edge with IKEA handles as shown. Fold and sew handles as you go to bend around corners. Requires two rows of stitching, sew outside edge first, then inside edge.



Business

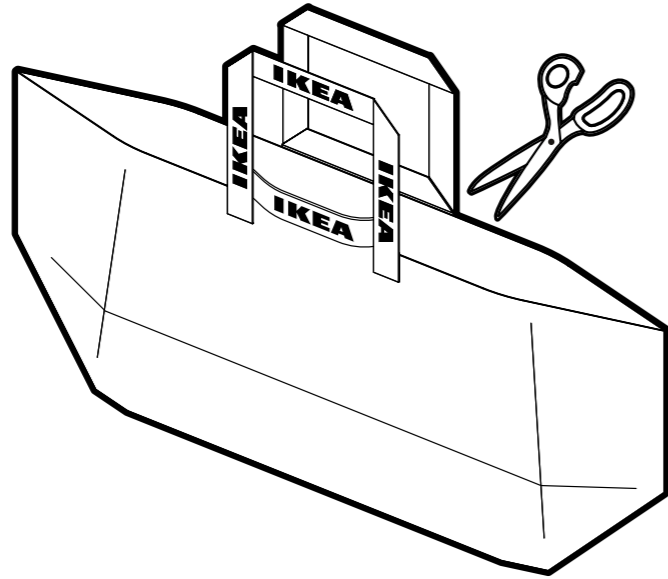
Shirt Collar



1 Shirt Collar

Preparing your bag

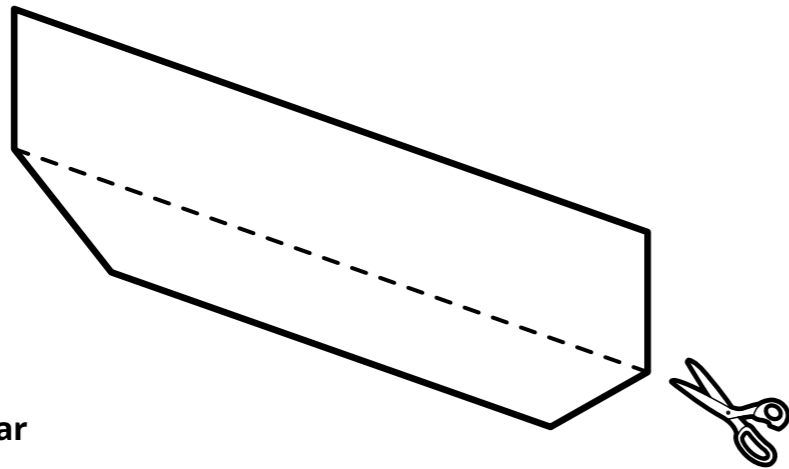
Cut lines at handle attachment of bags. Keep for later use.



2 Shirt Collar

Cutting collar pieces

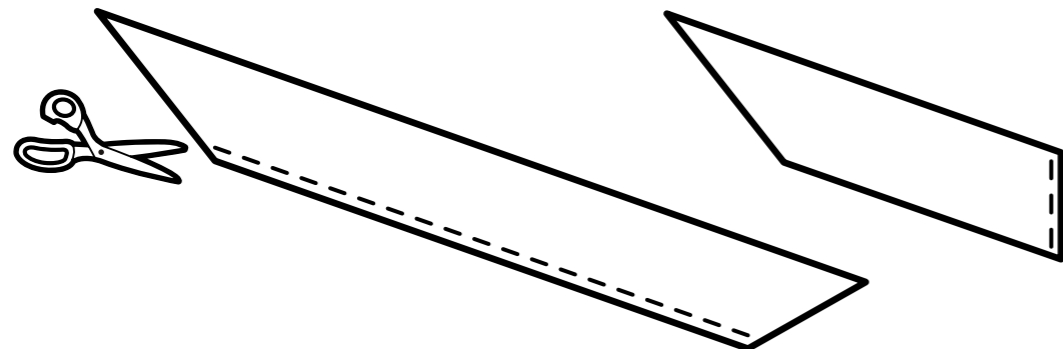
Lay FRAKTA bag flat. Position and cut pattern piece as shown. This will give you both of the collar pieces needed.



3 Shirt Collar

Fitting Collar

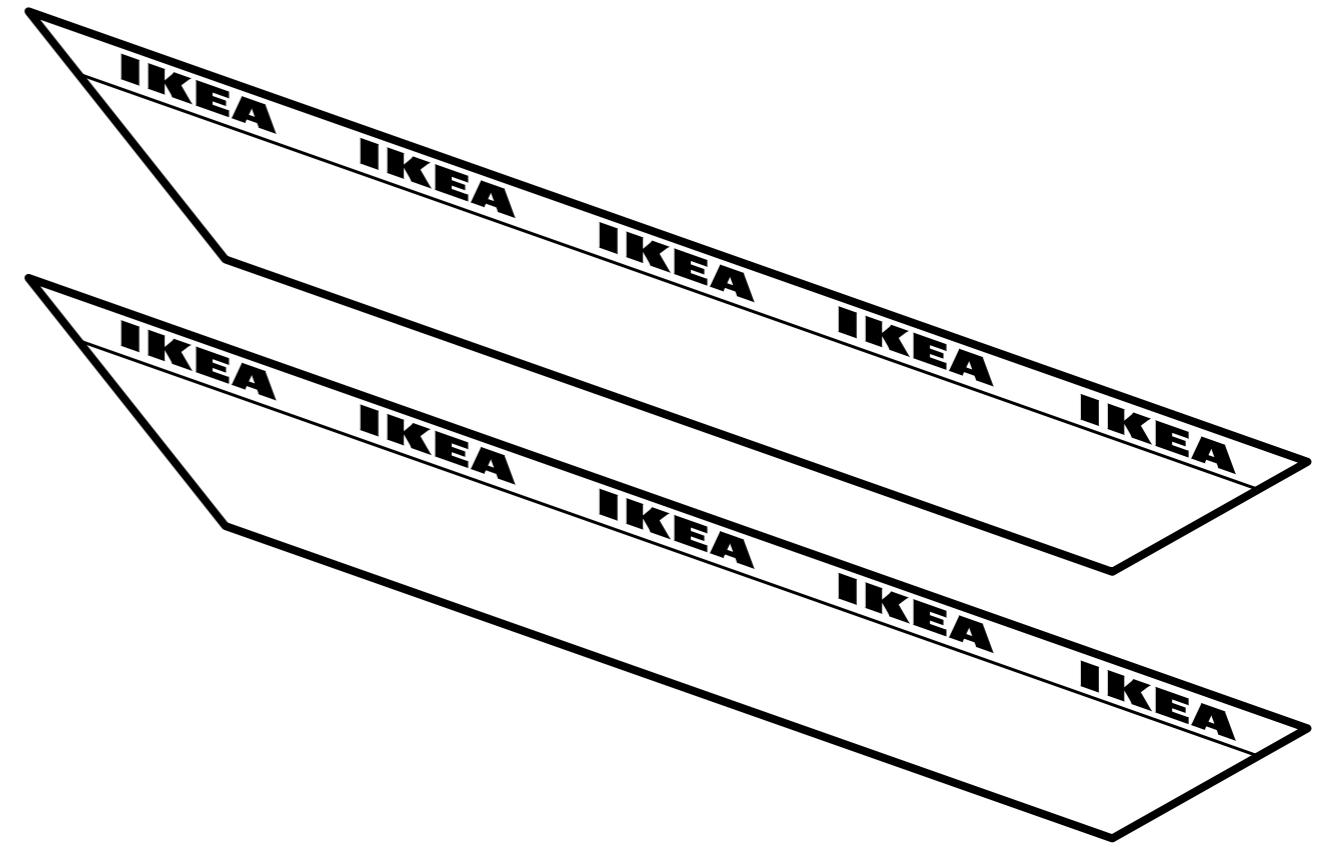
Collar pattern is set for an XL hund. To adjust and fit to your hund, trim excess material from bottom of both collar pieces and take them in by folding in half and sewing appropriately before cutting surplus.



4 Shirt Collar

Adding edging

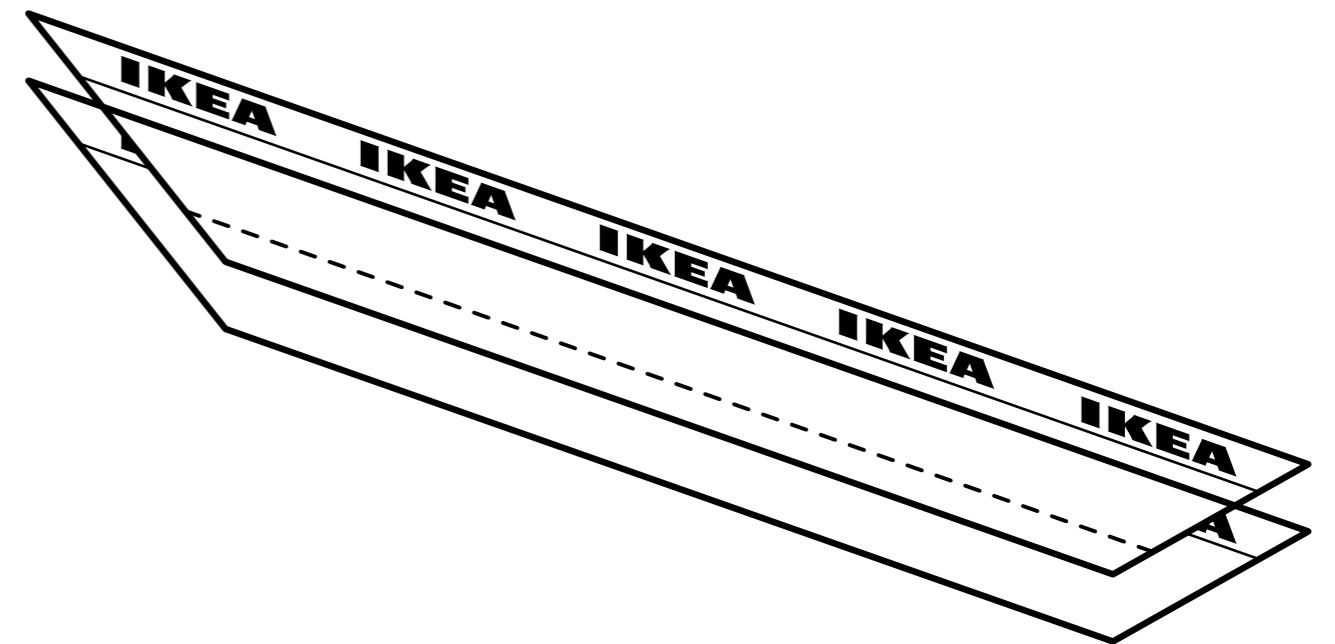
Edge collar pieces with trim using the handles of the bag, and attaching to top edge.



5 Shirt Collar

Attaching collar pieces

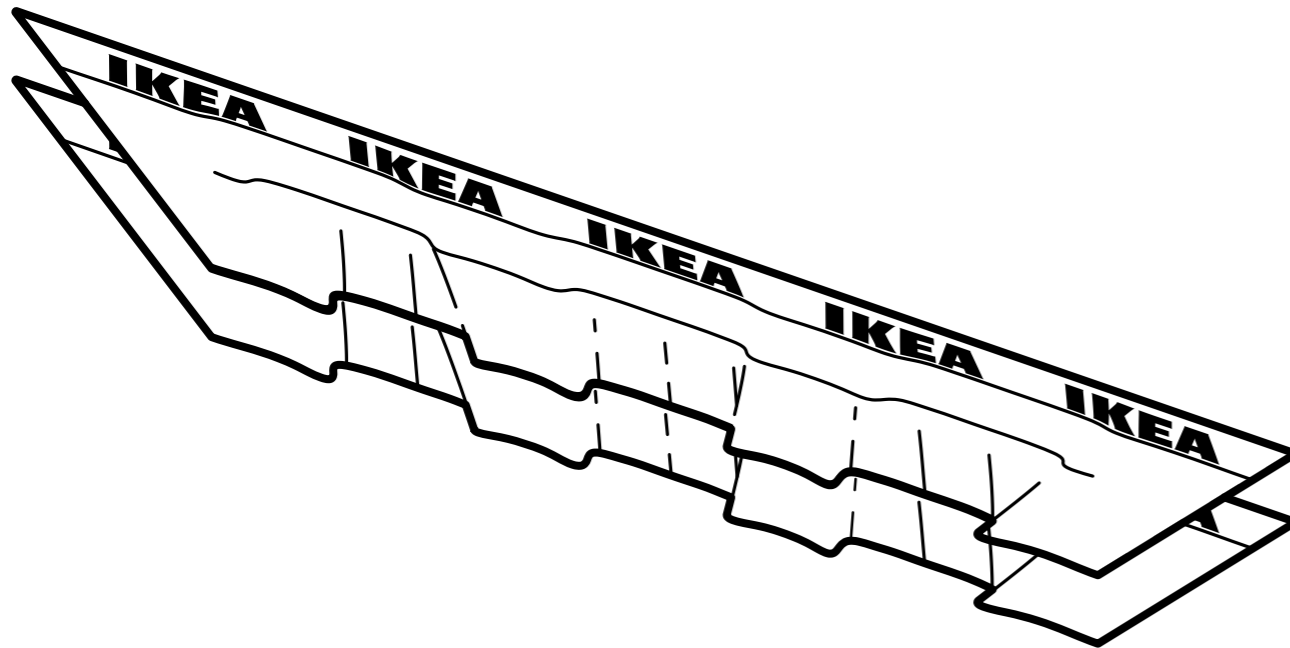
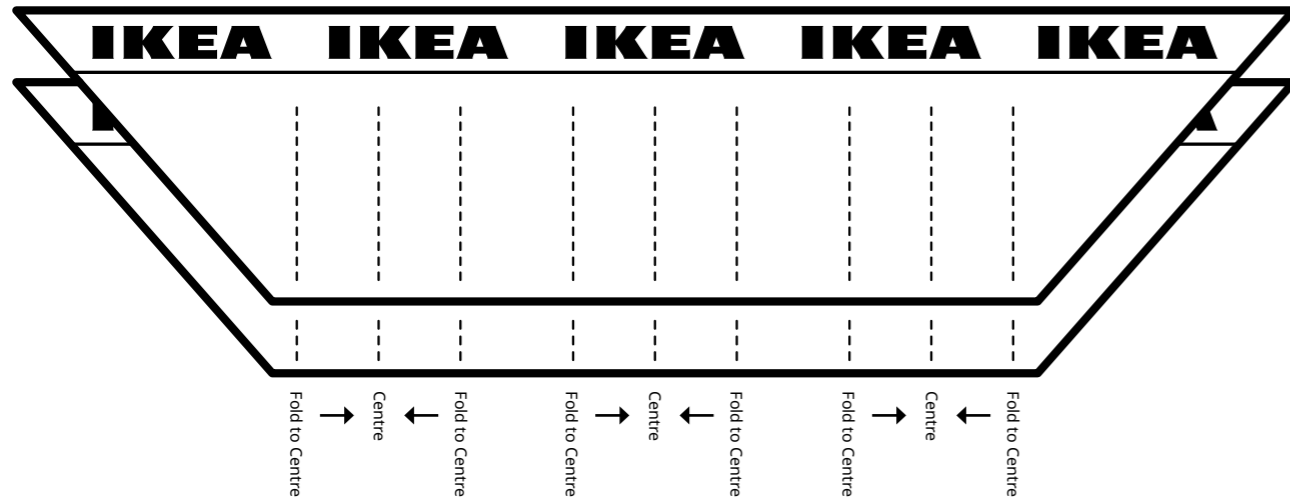
Attach one collar piece on top of the other and stitch as shown.



6 Shirt Collar

Creating shape

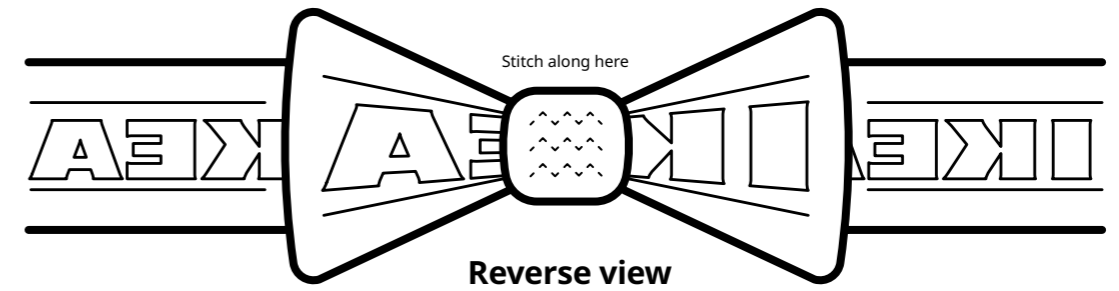
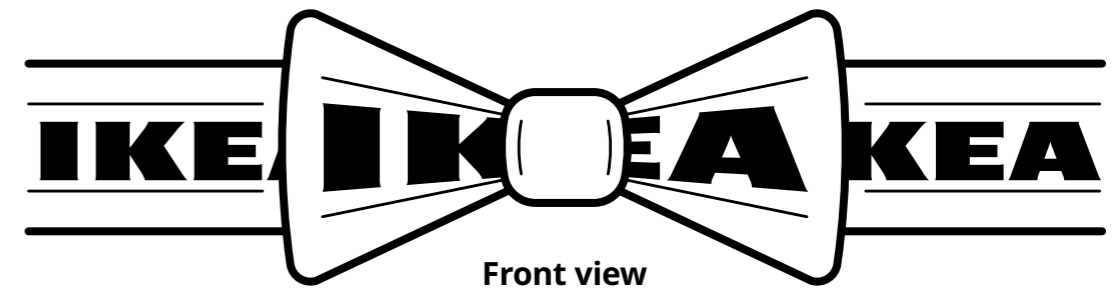
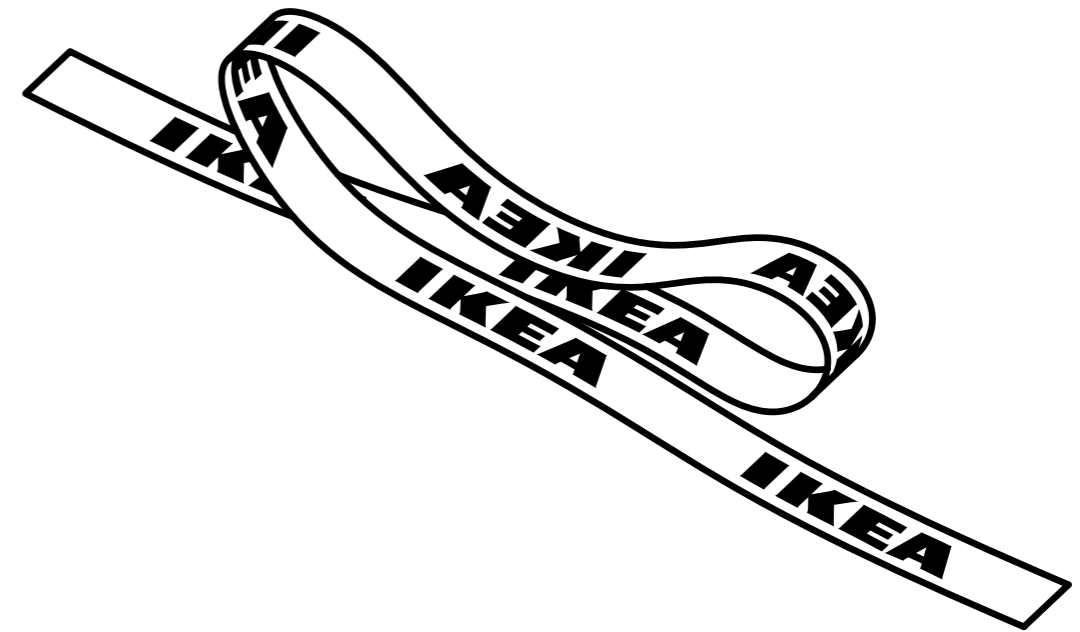
To create pleats and give the collar shape, fold the fabric in on itself three times as shown. Pin this and sew to secure.



7 Shirt Collar

Preparing bow

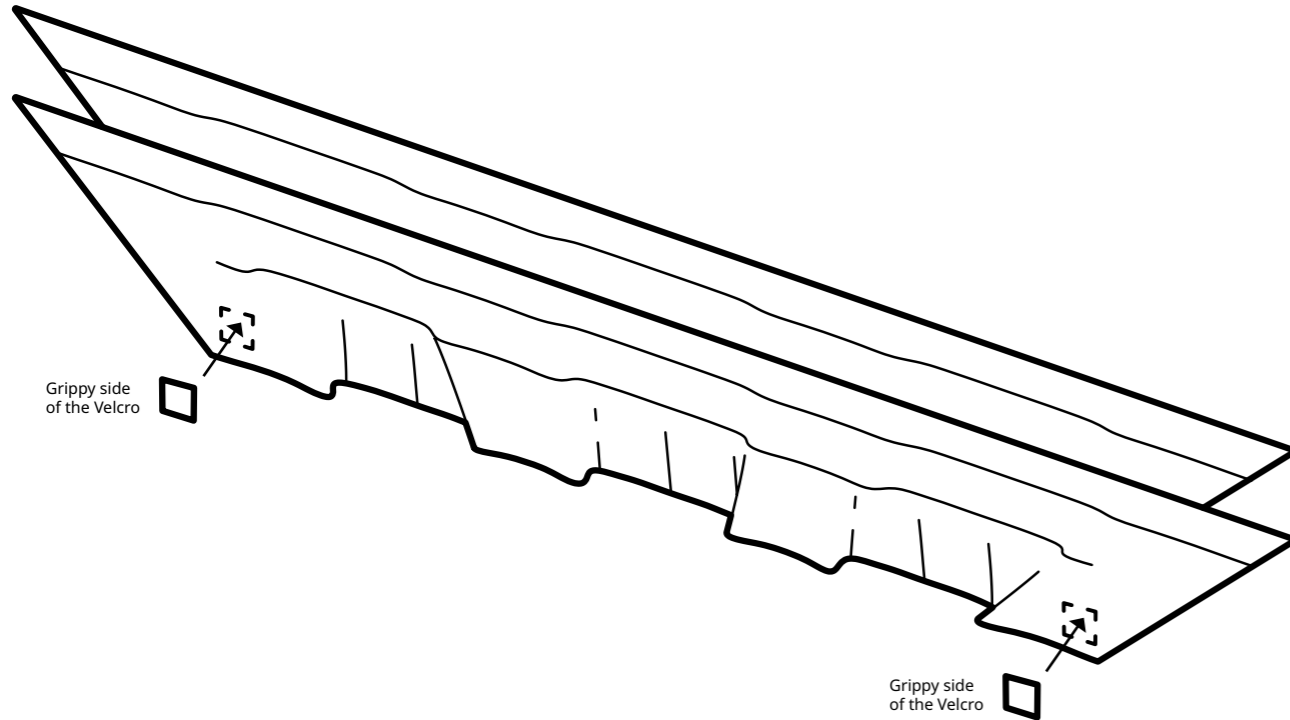
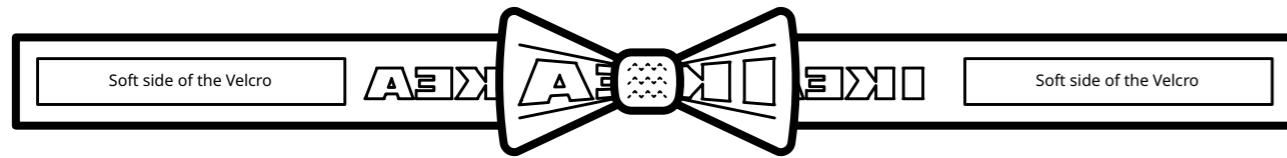
Take a long handle and fold into bow. Take another section of handle and rap around centre of bow then stitch to secure it.



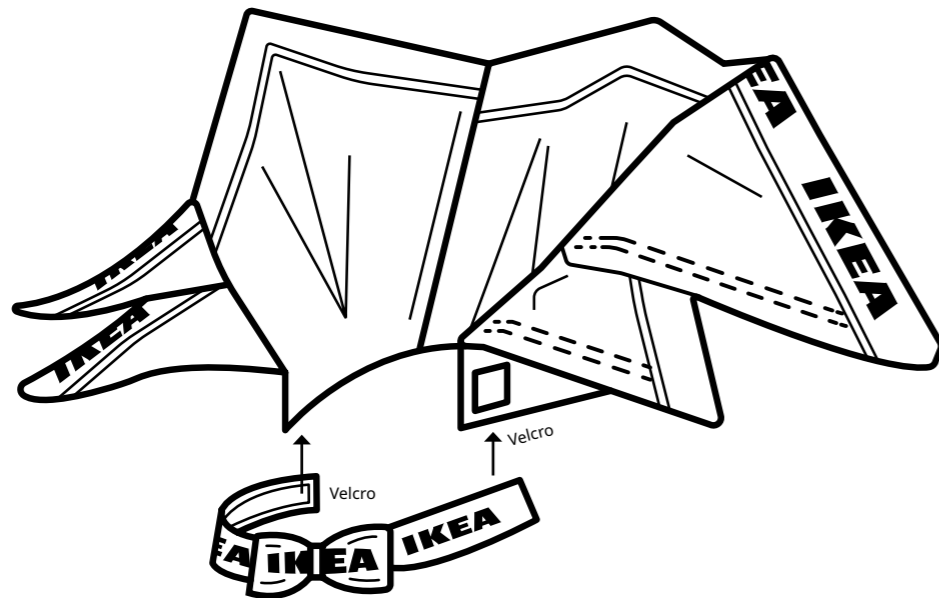
8 Shirt Collar

Attaching bow

Measure and trim excess tails of bow to fit your dog.
Attach velcro to the reverse of the bow to attach to the main body.



Secure your neck bow piece using velcro to body.
Ensure the loop (soft) side of the velcro is facing the dog
and the hook (grippy) side is away from them.



Securing the bow to the collar



Design and Quality
IKEA of Sweden

HUND COUTURE is designed to be worn on red carpets.
To keep your dog comfortable make sure to find the right
fit and always supervise your hund while they're strutting
their stuff.