

HUND COUTURE

Frillneck

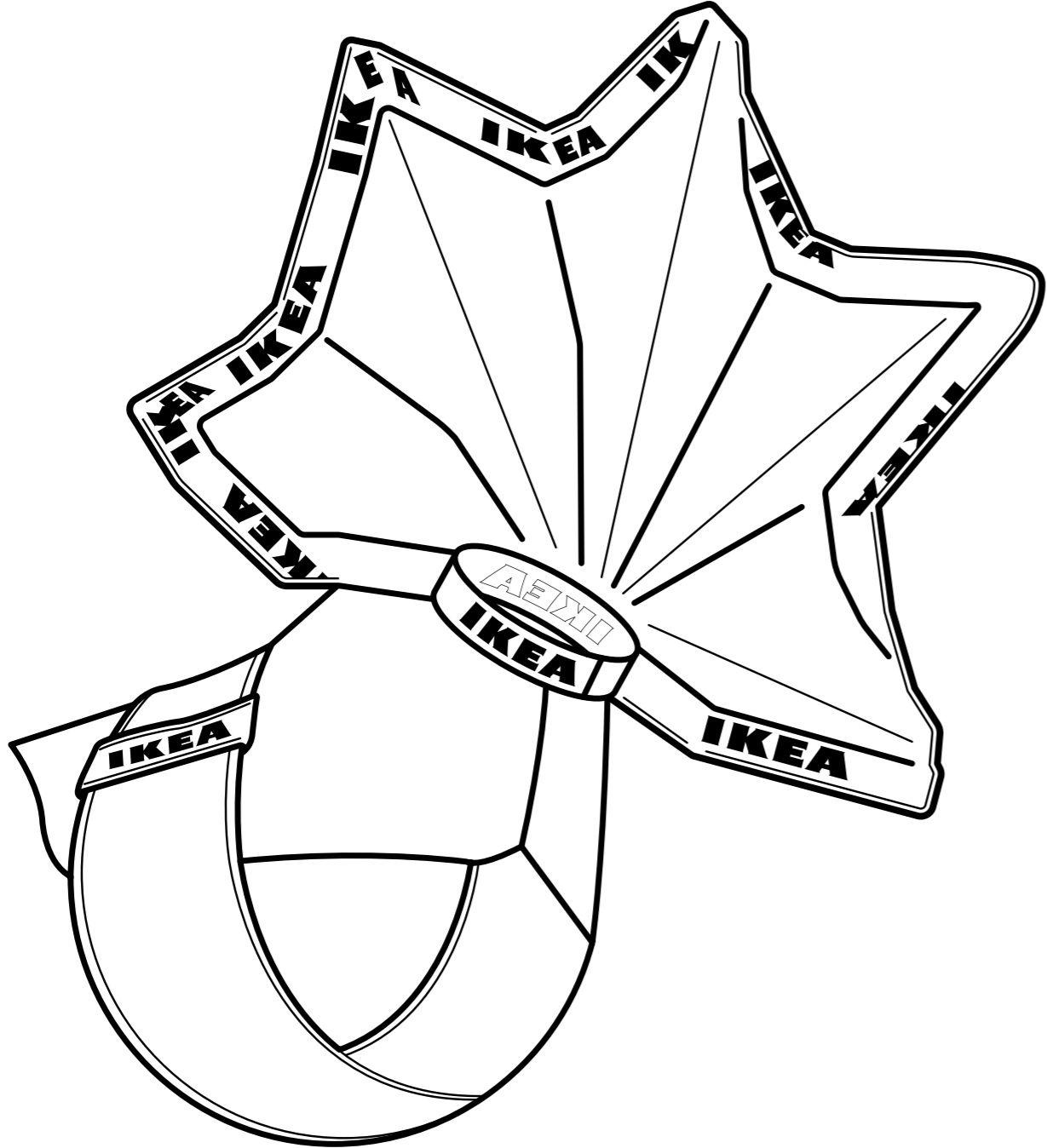


Sizes: S, M, L, XL



Design and Quality
IKEA of Sweden

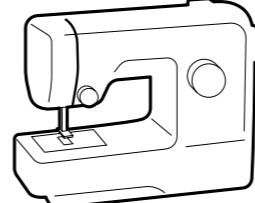
Frillneck




Frillneck

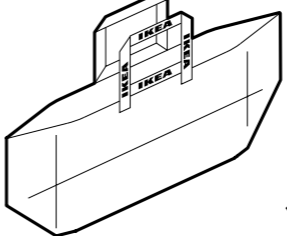
What you'll need


Equipment

1x  Sewing Machine

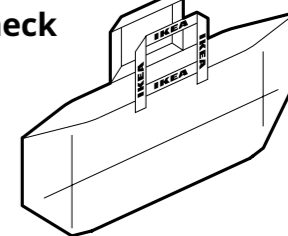
1x  Pair of Scissors


Body

1x  FRAKTA Bag

1x  20cm Velcro

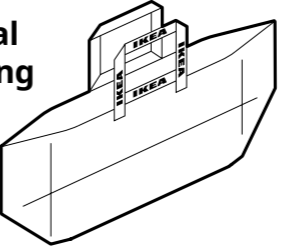
Frillneck

2x  FRAKTA Bag

1x  15cm Velcro

3x  35cm armature wire (optional)

Optional Trimming

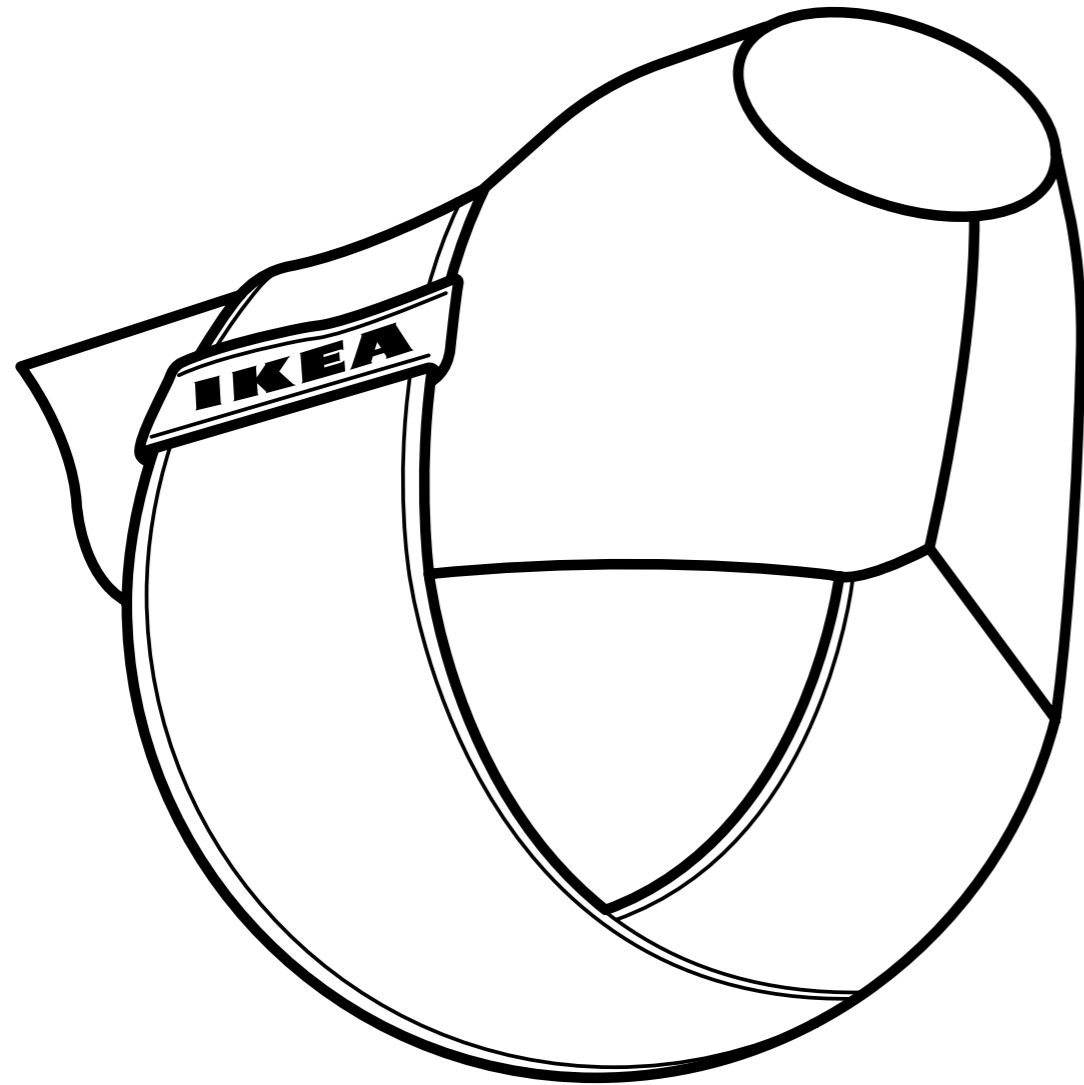
1x  FRAKTA Bag

Pattern Piece

[Available to download here](#) 

Frillneck

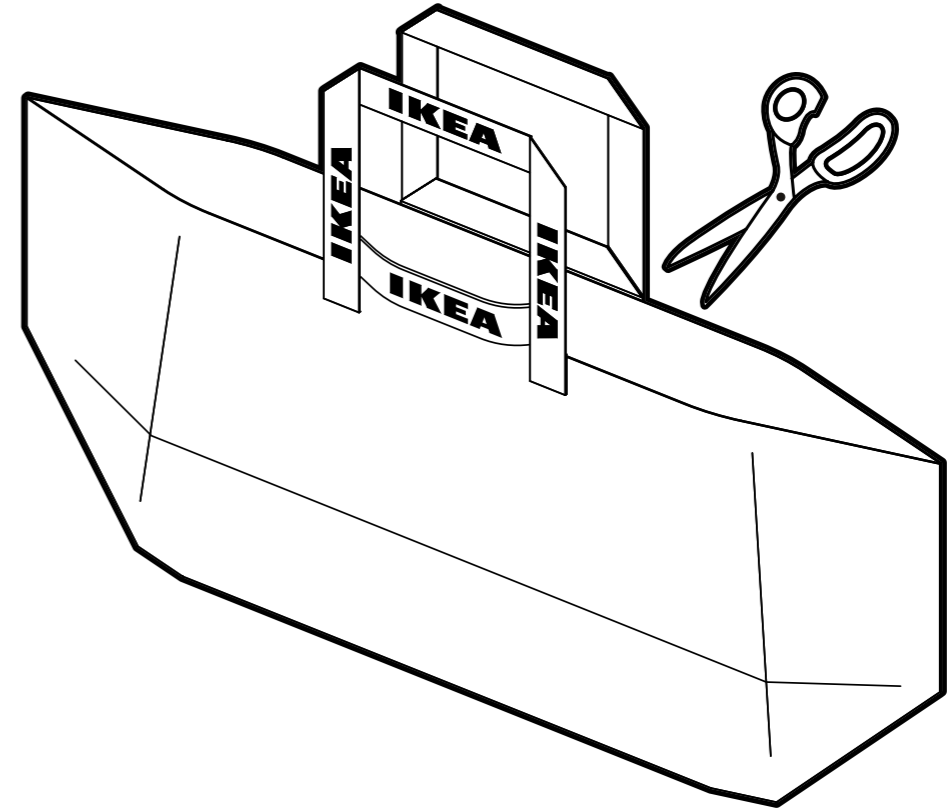
Body



1 Body

Preparing your bag

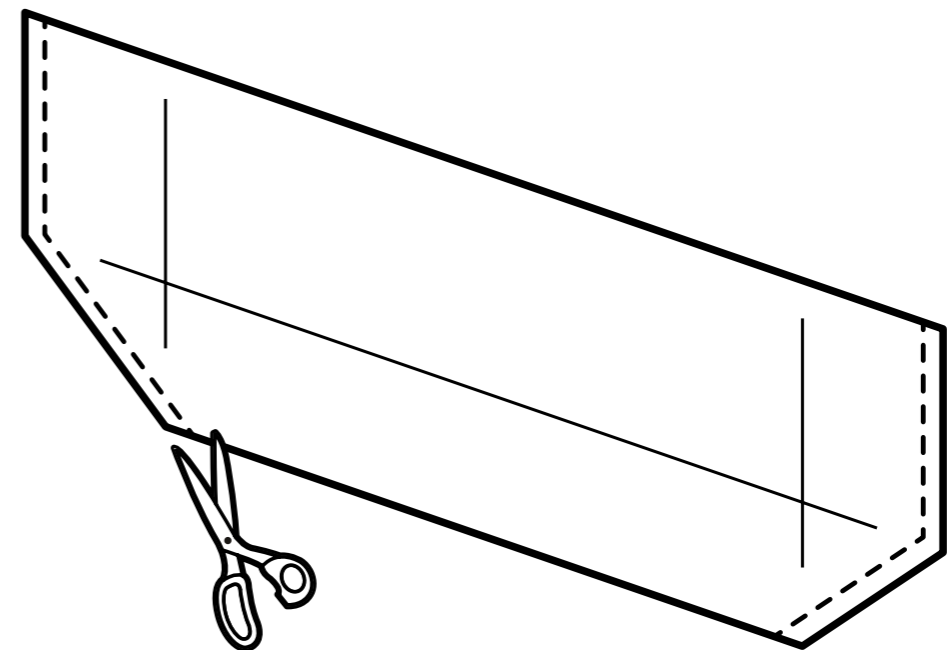
Cut lines at handle attachment of bags.
Keep for later use.



2 Body

Cutting body piece

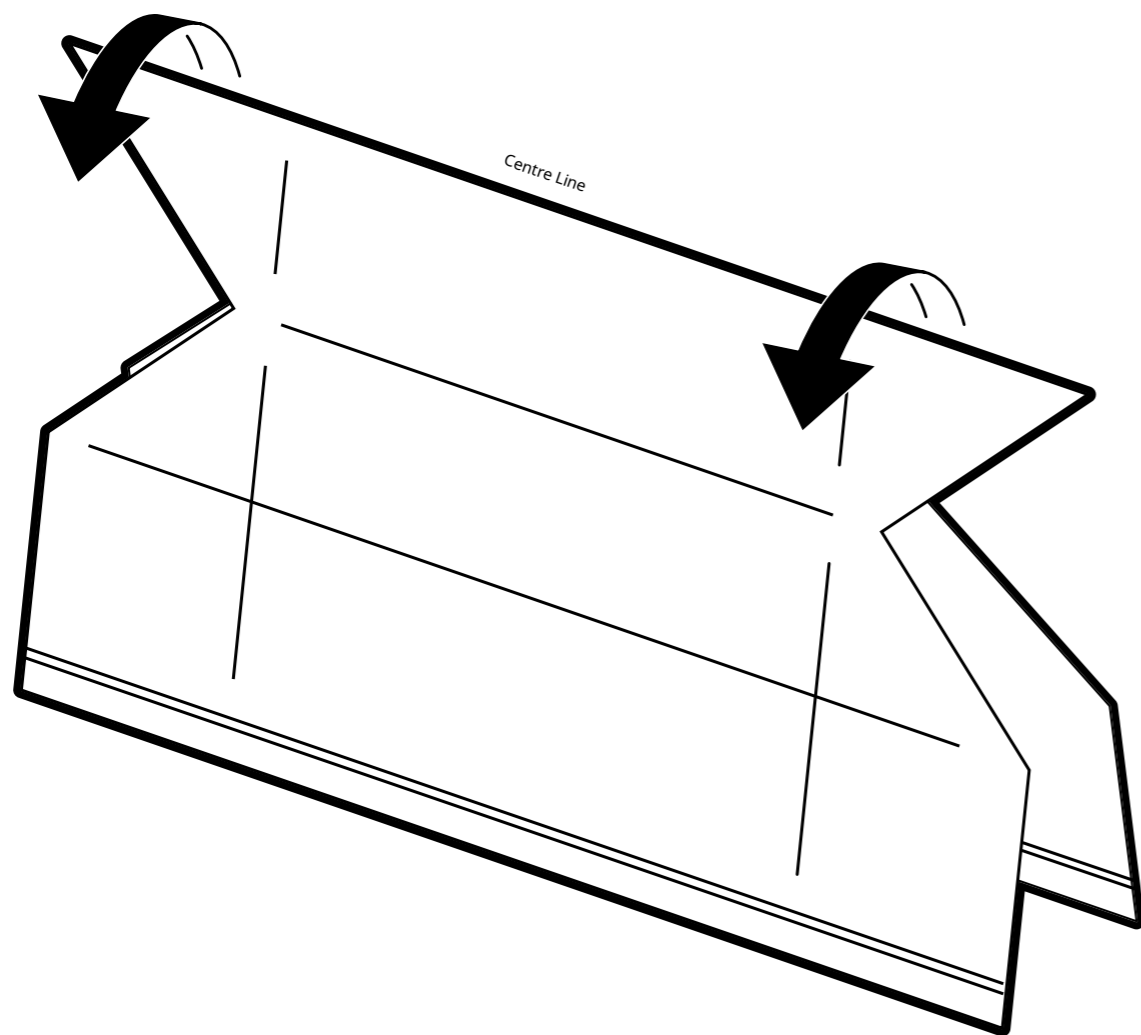
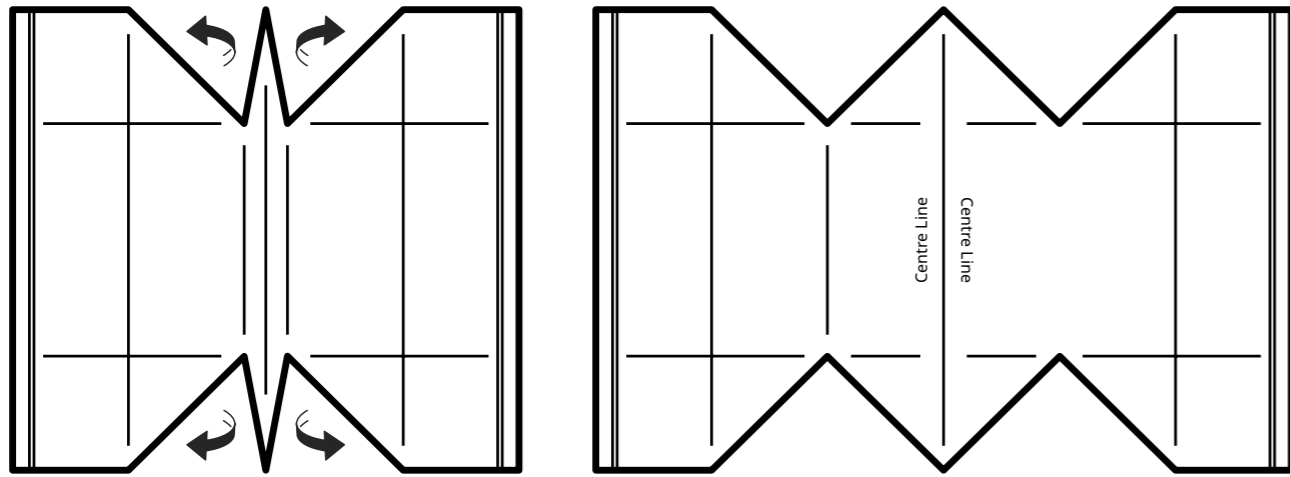
Lay your FRAKTA bag flat
and cut along side seams.



3 Body

Cutting body piece

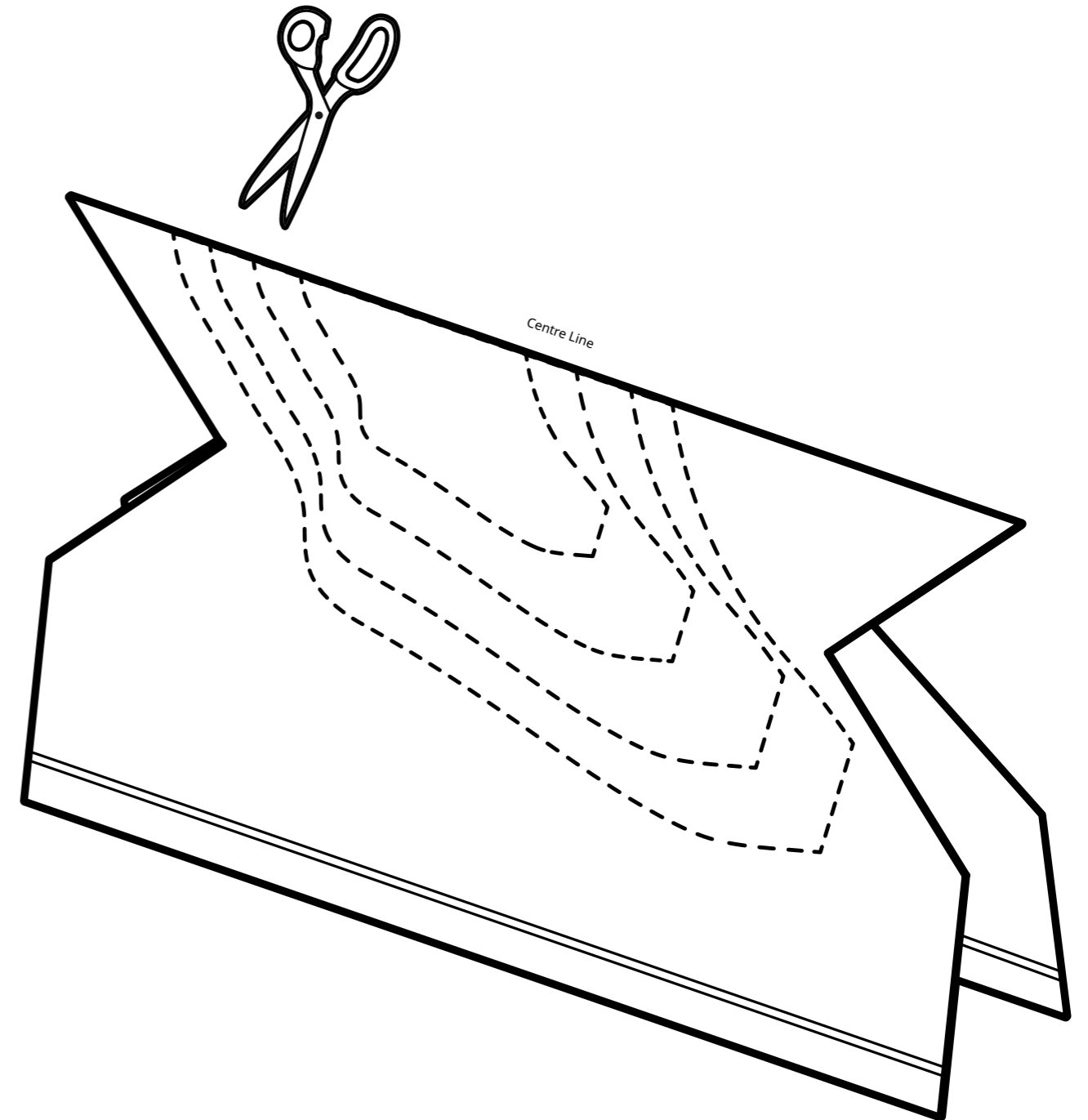
Open bag up then refold along centre line.



4 Body

Cutting body piece

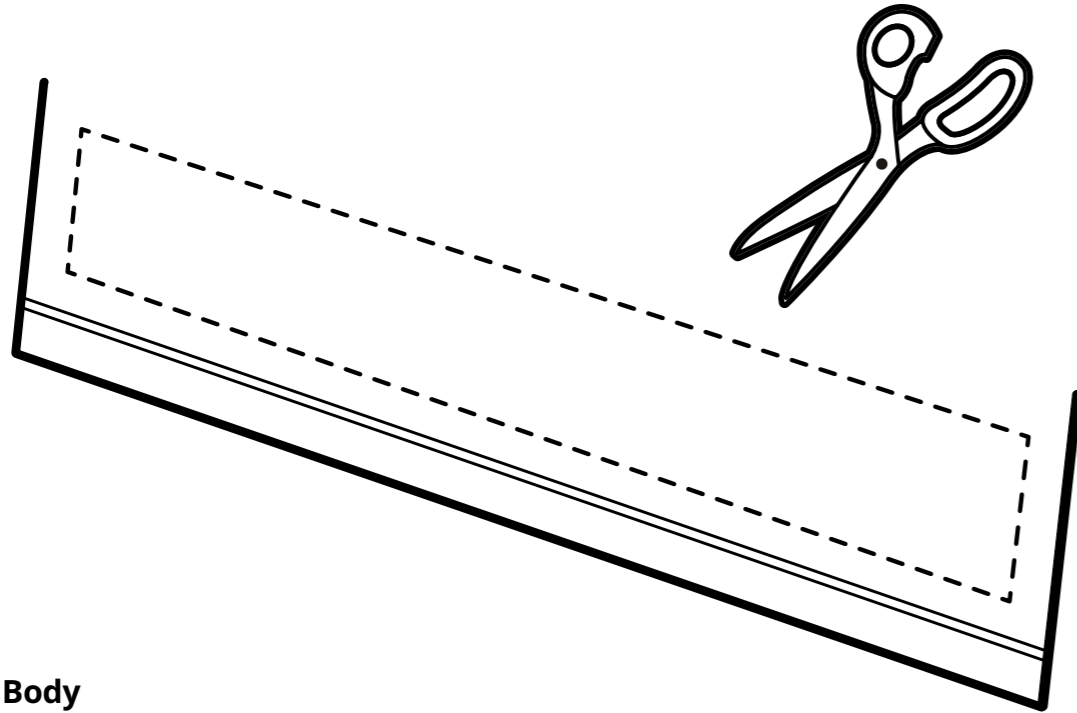
Position body pattern piece along centerfold and cut to appropriate size. Fit and further trim to adjust design to your hand.



5 Body

Cutting belt piece

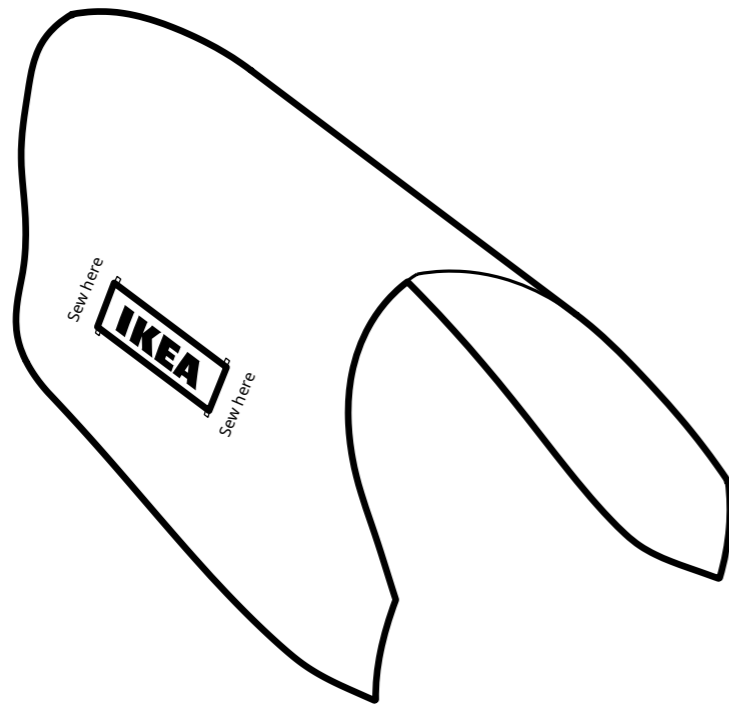
Position belt pattern piece anywhere on the remaining bag and cut one side of bag to create single sided belt band.



6 Body

Creating and attaching belt loops

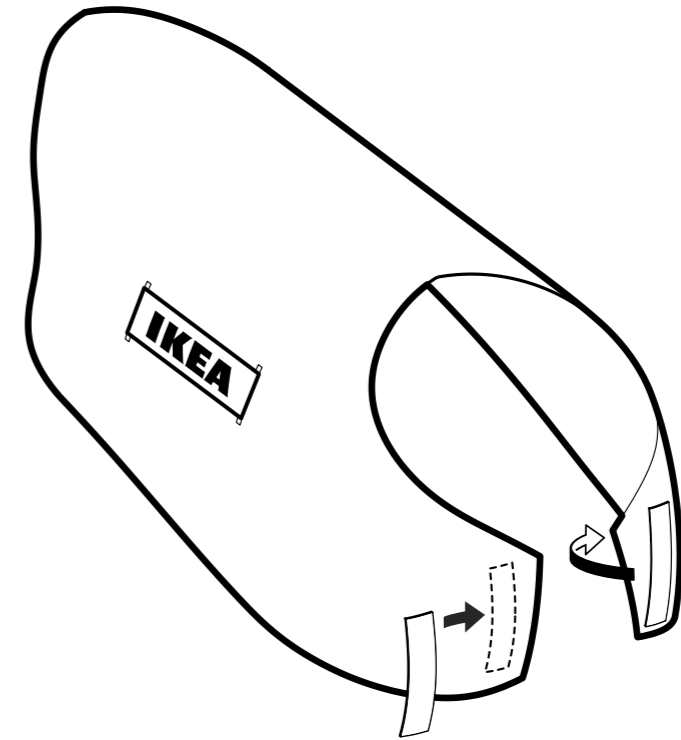
Cut bag handle to the right width for your belt band to create your two belt loops. Then sew one on either side of body piece, attaching them by sewing only the ends to create a loop for the belt to be threaded through.



7 Body

Attaching chest fastening

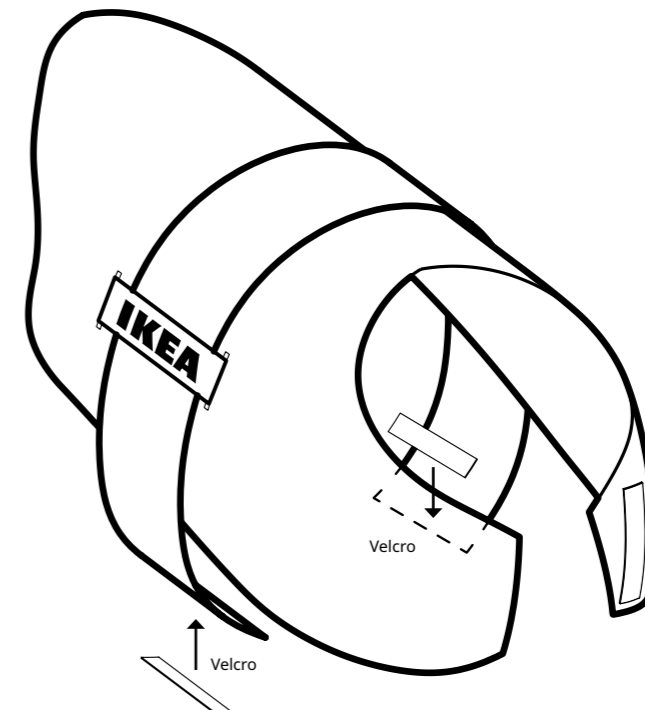
Attach and secure velcro to create chest fastening as shown. Ensure the loop (soft) side of the velcro is facing the dog and the hook (grippy) side is away from them.



8 Body

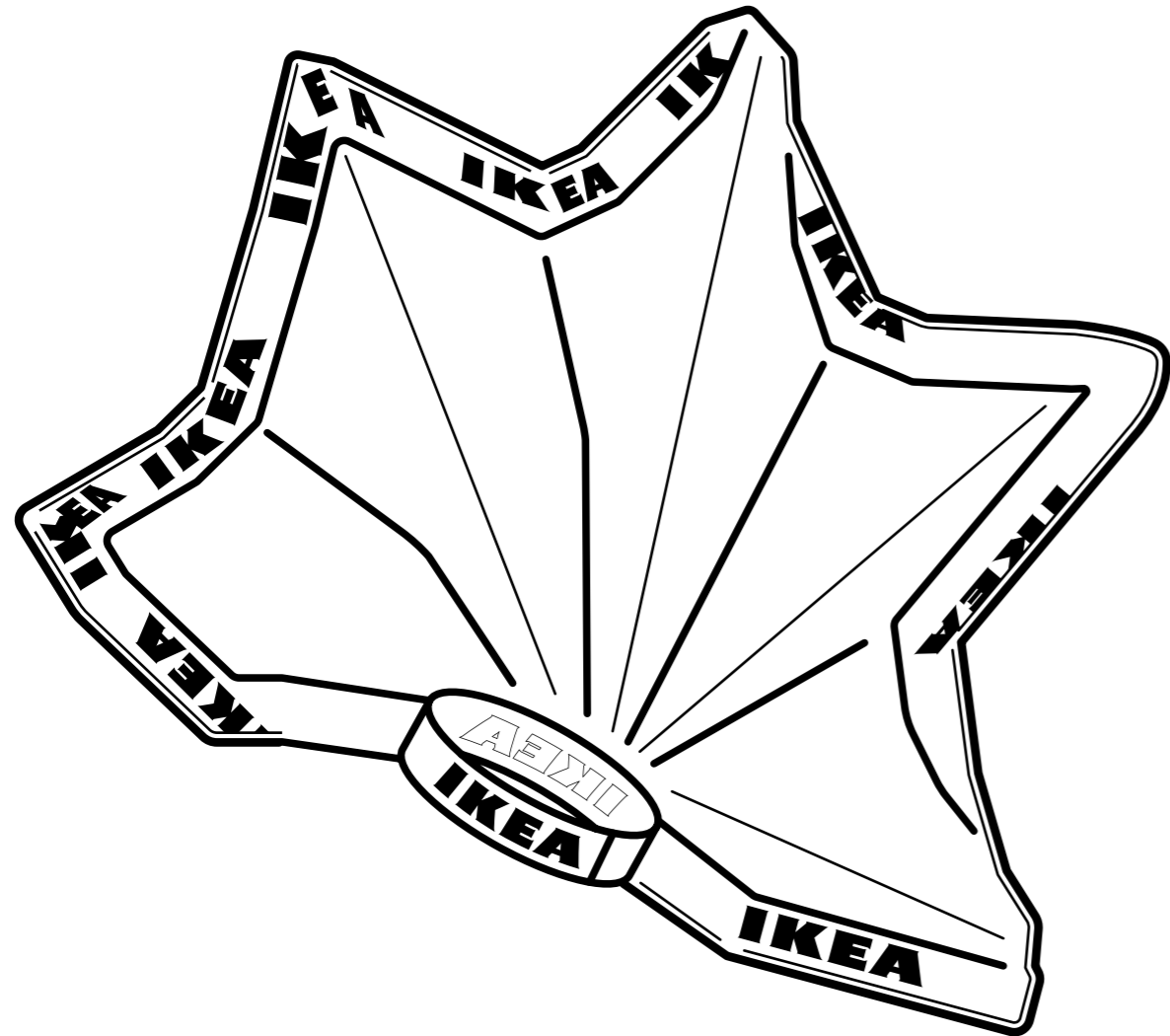
Attaching belt fastening

Thread belt through the loops, fit and trim to comfortably fit under your hund's belly. Remove then attach and secure velcro to create belt fastening as shown. Ensure the loop (soft) side of the velcro is facing the dog and the hook (grippy) side away from them.



Frillneck

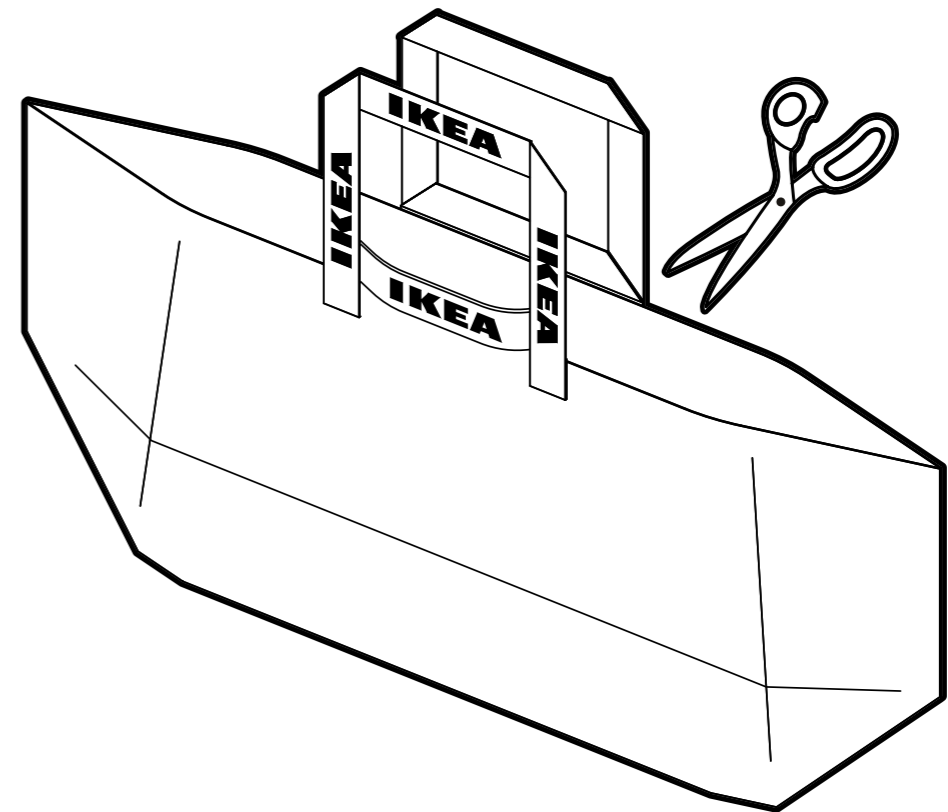
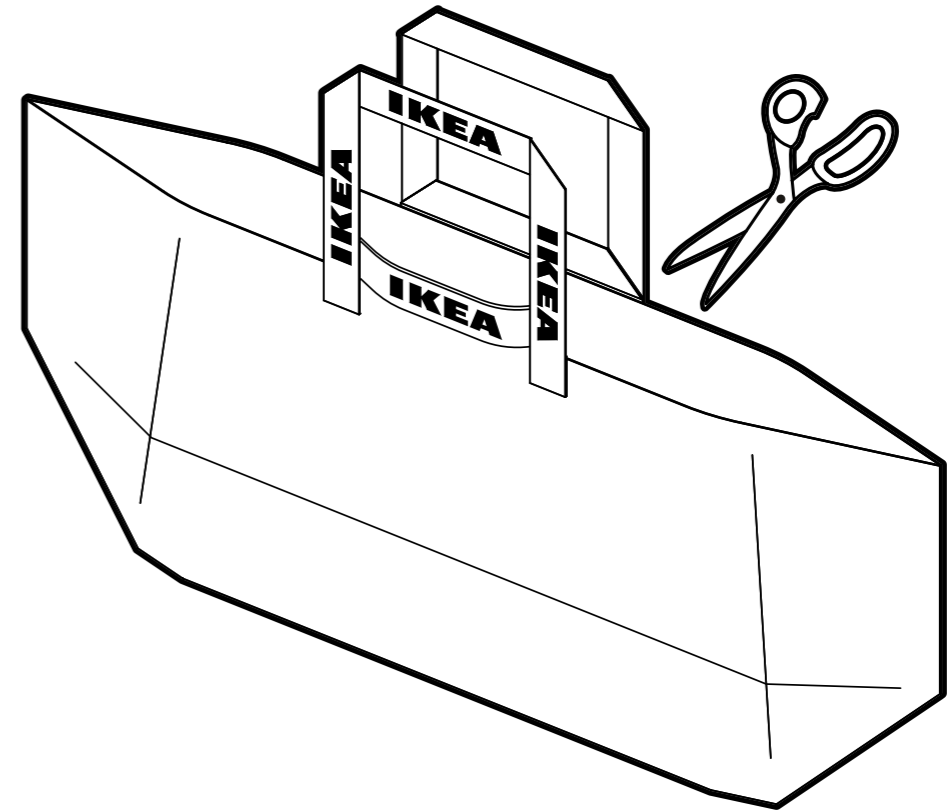
Neck



1 Neck

Preparing your bags

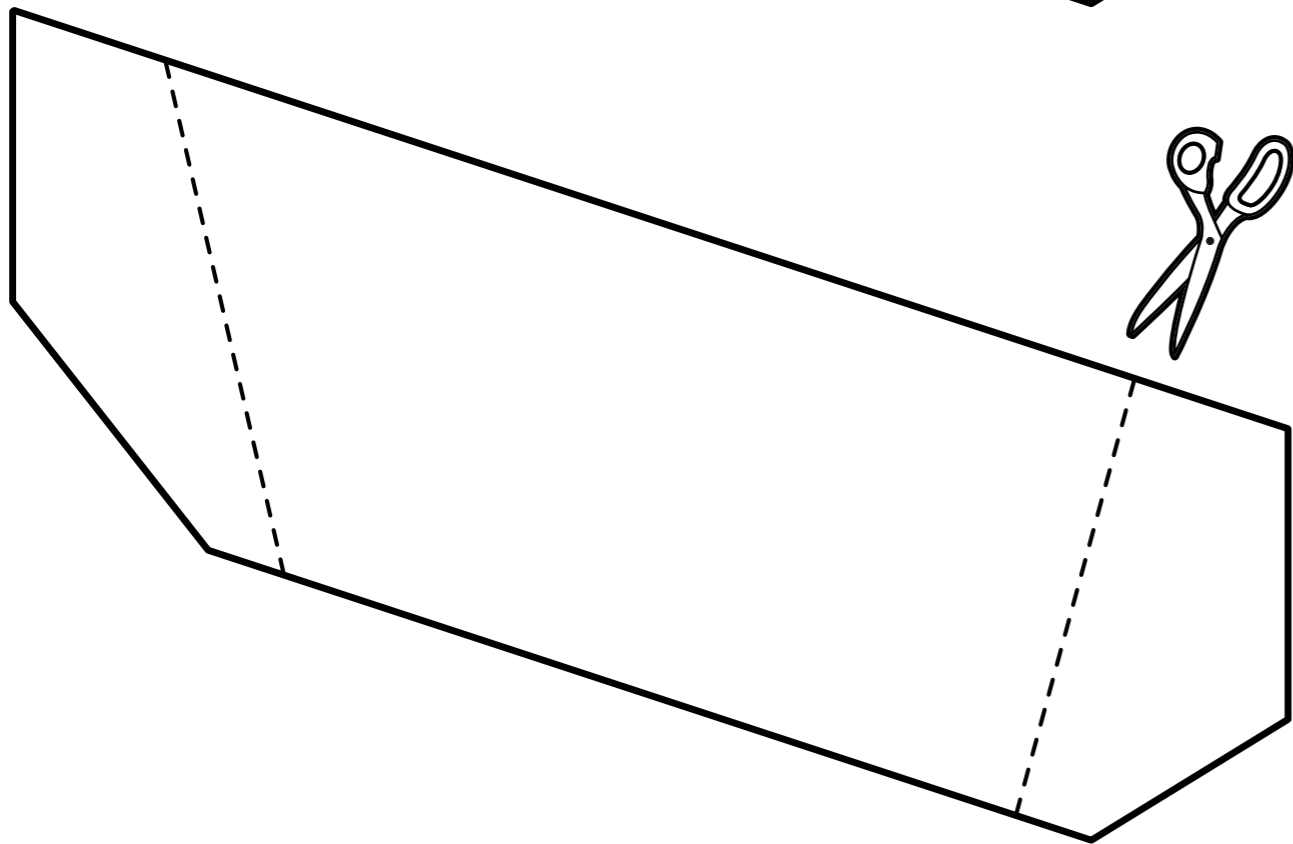
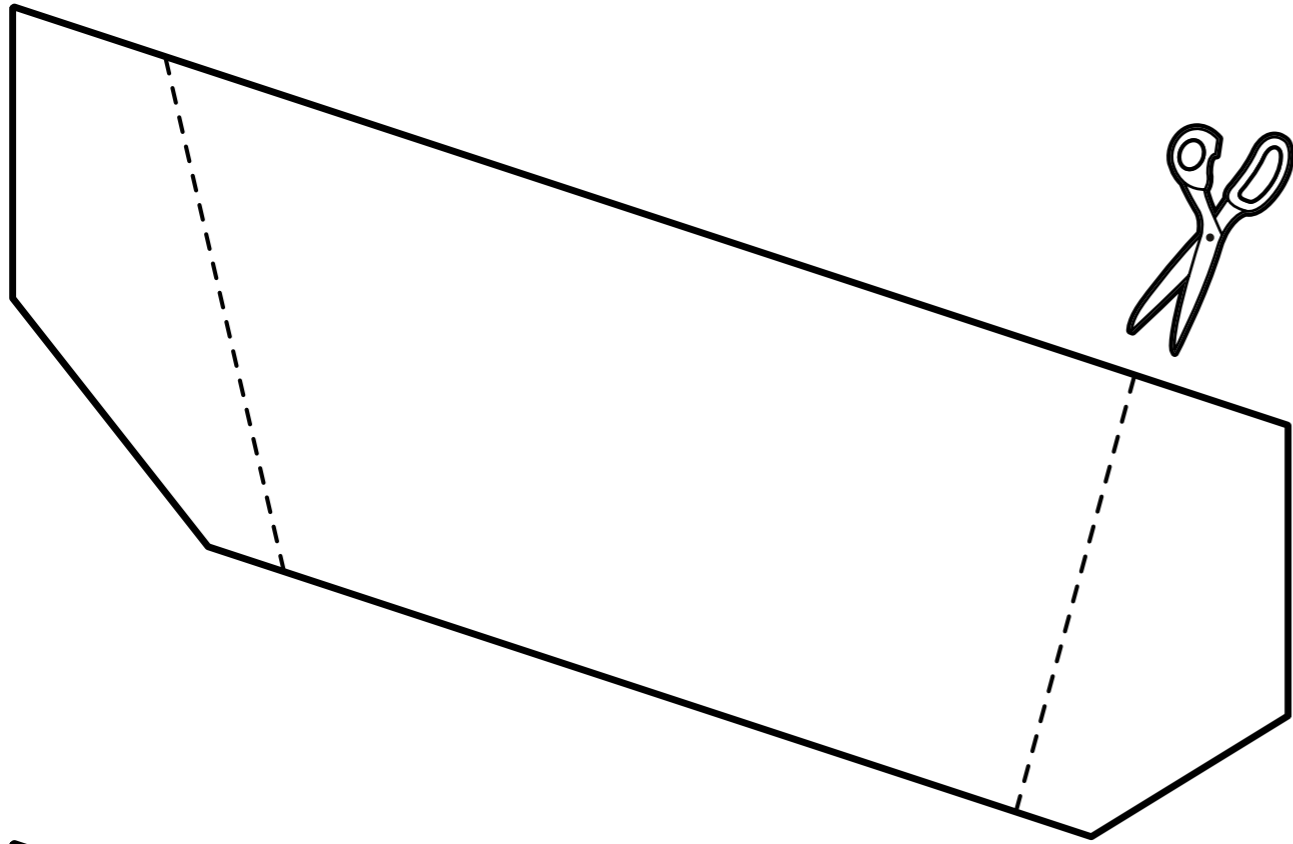
Cut lines at handle attachment of 2x bags.
Keep for later use.



2 Neck

Cutting collar pieces

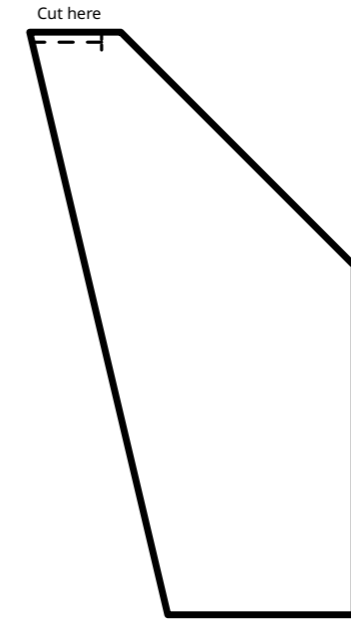
Lay FRAKTA bags flat. Position and cut pattern piece as shown on both bags to give you the 4x collar pieces needed. The bag's side seams remain intact, saving you some sewing.



3 Neck

Preparing neck pieces

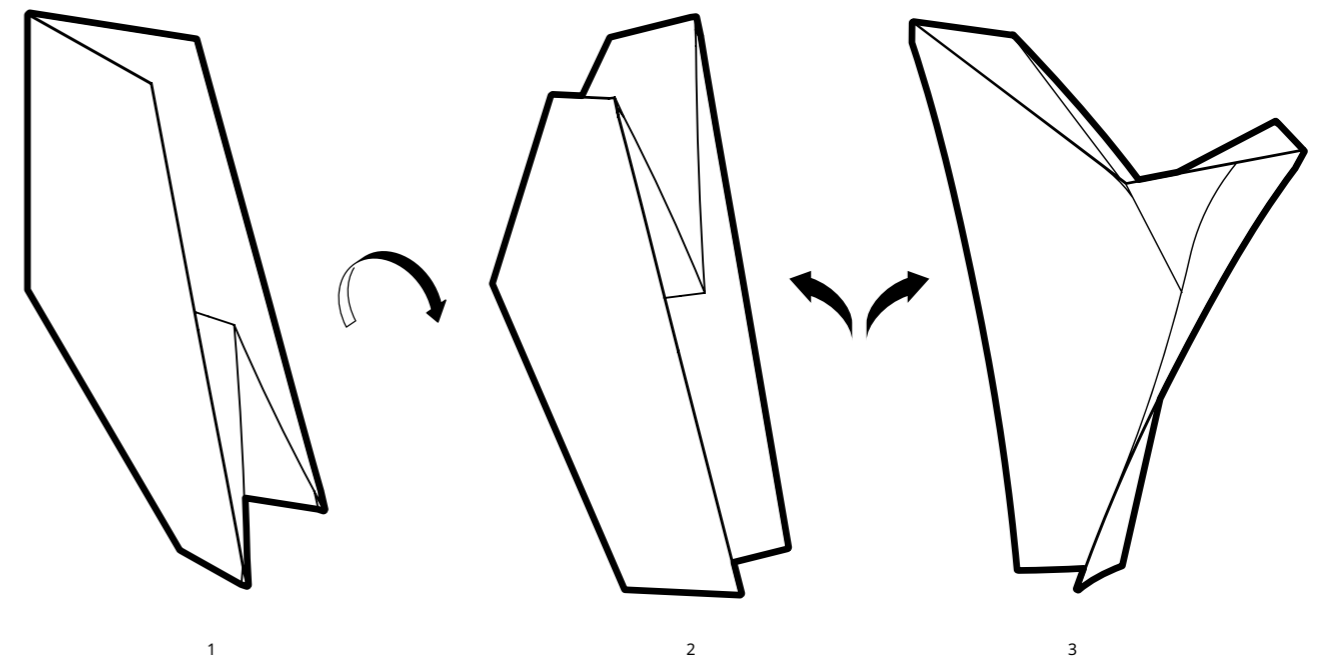
Cut small slits along the bottom collar pieces, as shown. This makes them easier to sew later on.



4 Neck

Joining neck pieces

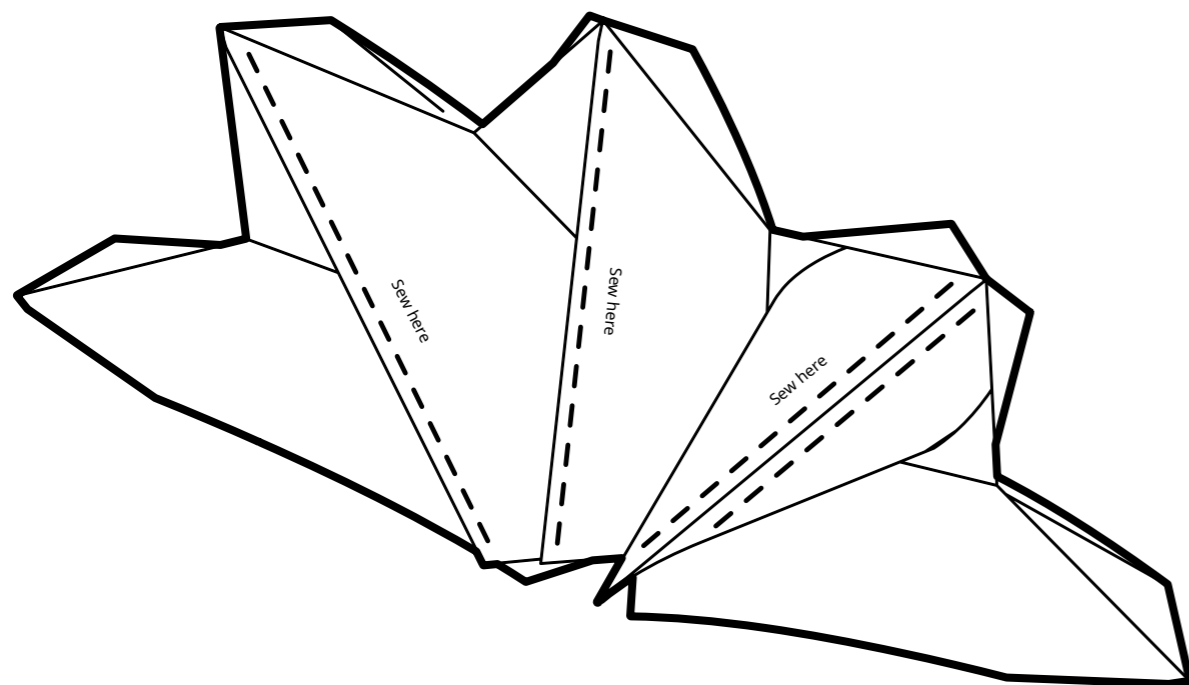
Open out all four pieces.



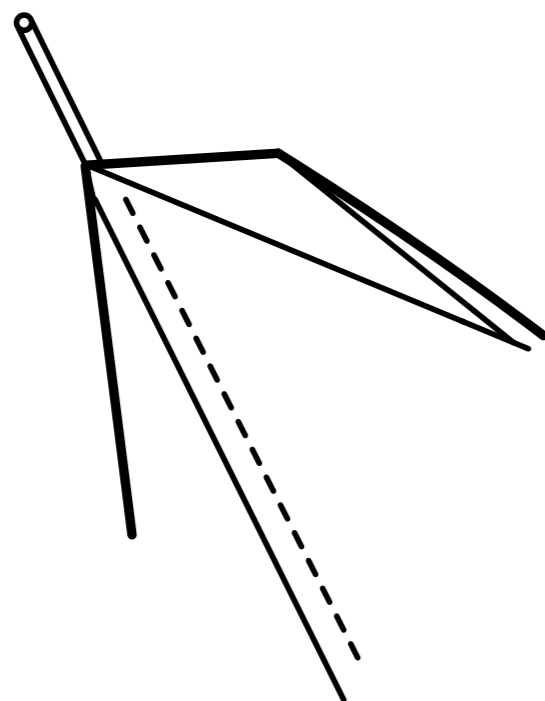
5 Neck

Joining neck pieces

Pin and sew them together in a line as shown.



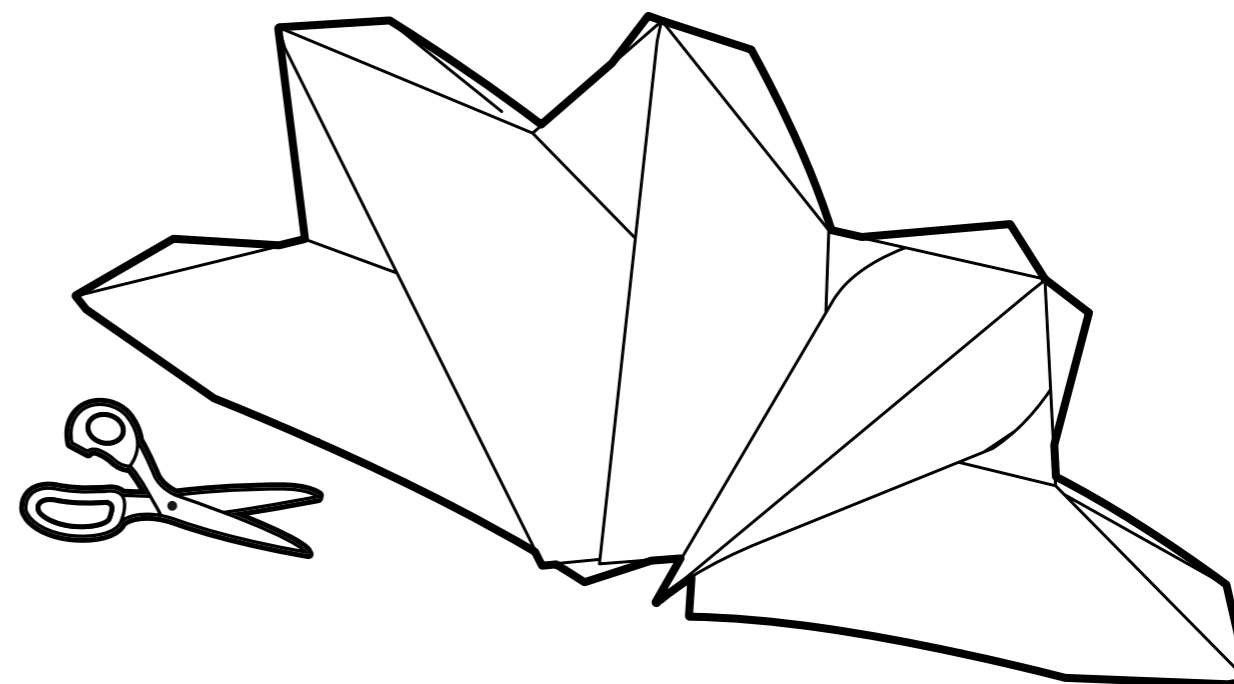
OPTIONAL: If you want the neck piece to be more rigid, sew second row of stitching on your join to make a pocket to thread armature wire through.



6 Neck

Shaping neck piece

The outside panels of the neck piece can be trimmed to shape, cut on angle as shown. Trim the bottom to shorten and fit to it suit smaller dogs.

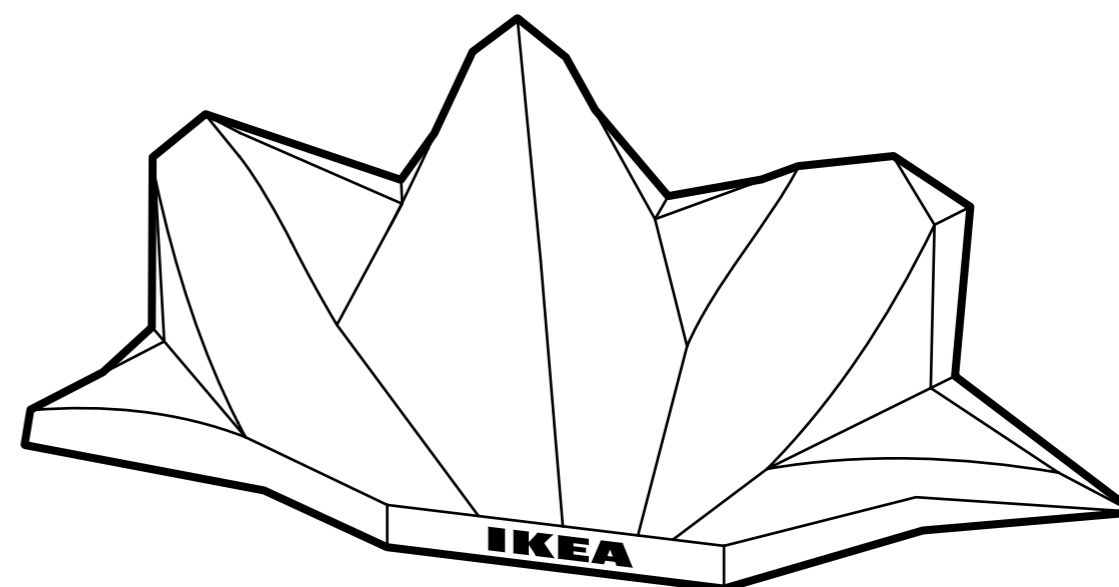


7 Neck

Trimming neck piece

Stitch IKEA trim from bag handles along straight bottom edge.

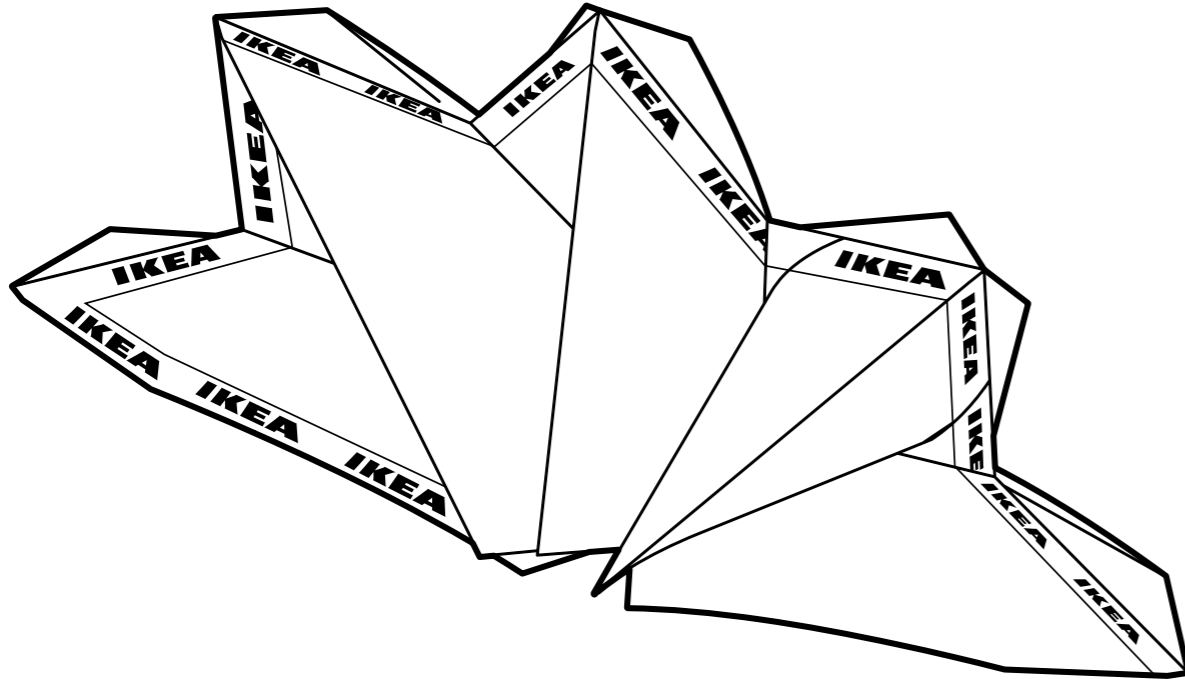
OPTIONAL: If you're using armature wire leave a gap where the 3 seams meet so wire can be inserted later



8 Neck

Optional trim

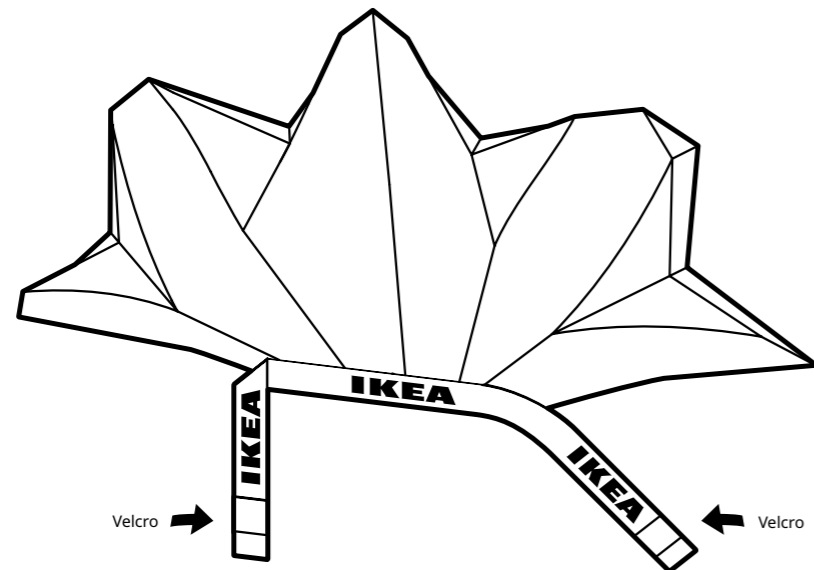
Edge top corners with IKEA handles as shown.
Fold and sew handles as you go to bend around corners.
Requires two row of stitching, sew outside edge first,
then inside edge.



9 Neck

Finishing neck piece

Take a long handle and position along the front, bottom section of the neck piece. Ensure equal lengths overhanging either side, then sew to secure. Measure the overlapping handles to comfortably meet around your hund's neck before trimming and attaching velcro as shown, creating a fastening around the neck. Make sure the grippy side (hook) is facing away from your hund.



Design and Quality
IKEA of Sweden

HUND COUTURE is designed to be worn on red carpets.
To keep your dog comfortable make sure to find the right
fit and always supervise your hund while they're strutting
their stuff.